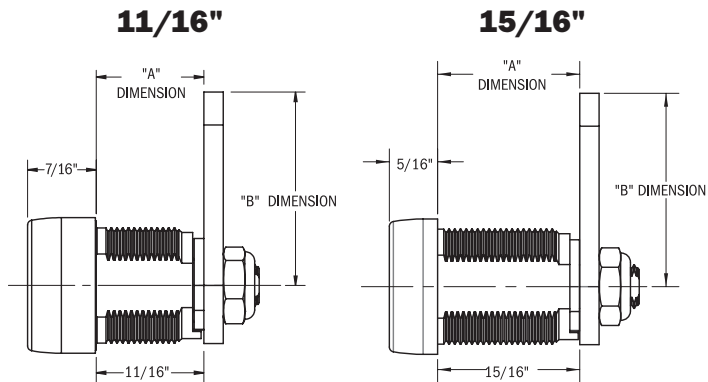


FUEL SECURITY SPECIFICATIONS

Lock Identification • Installing, Using and Maintaining TuBAR® in dispensers

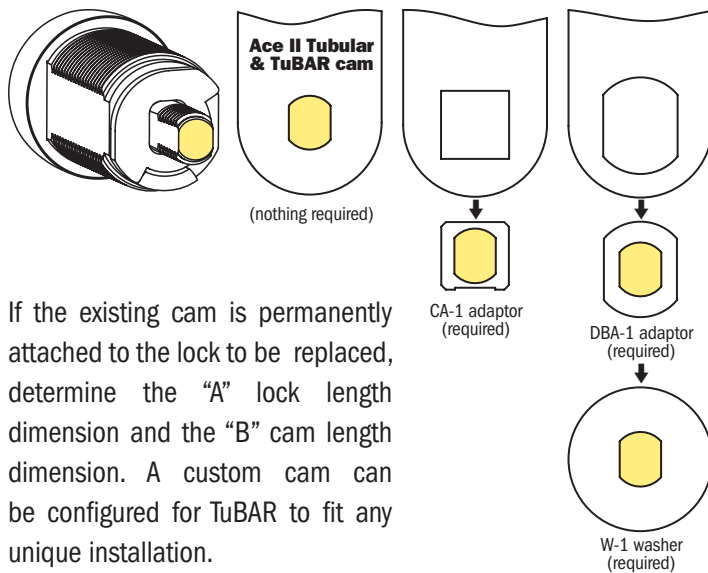
Lock Identification / What Lock is Needed?

Measure lock length using the two examples shown; the vast majority of dispensers use either an 11/16" or a 15/16" lock.



Next identify what type of cam is used on the current lock. It may be possible to configure the existing cam to fit a new TuBAR lock. Look at the examples below to see if the existing cam can be used:

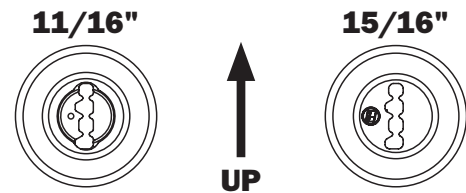
Cam options for TuBAR® locks



If the existing cam is permanently attached to the lock to be replaced, determine the "A" lock length dimension and the "B" cam length dimension. A custom cam can be configured for TuBAR to fit any unique installation.

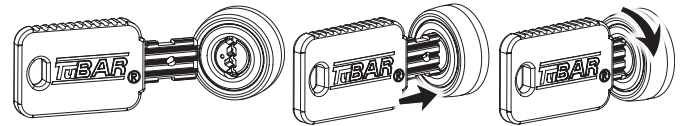
Installing, Using and Maintaining TuBAR®

Installing TuBAR in dispensers properly is critical for extended life and years of trouble-free access. Install TuBAR in the up position shown where possible. Otherwise, try to maintain a right hand or left hand consistency throughout the installed dispensers. This is so users easily know how to align the key for correct insertion.



TuBAR® High Security Locks are spring loaded and require proper key orientation before operation:

- ➔ Orient key properly, insert completely, then rotate to open
- ➔ TuBAR® is not designed as a compression latch:
 - Unlock TuBAR® before releasing any pressurized door seal security screws
 - Tighten any door seal security screws before re-locking TuBAR®



Confirm correct lock installation and operation with regular inspections of the application and all keys:

- ➔ Verify smooth lock operation and inspect for tampering, foreign objects or damaged keys
- ➔ Damage caused by excessive force to lock or key may void warranty
- ➔ Installation adjustments or modifications should be completed by qualified installation or maintenance personnel

DO NOT use oil based lubricants (WD-40) which can attract dirt. Introduction of any acid-based chemical will void warranty. Use a contact cleaner, then lubricate with a Teflon or graphite-based spray.

For more information, contact a regional sales representative compX.com/gssp/map



Crafting quality products in America since 1903.



864.297.6655 | compX.com/gssp

Copyright 2014 © CompX Security Products. Any companies and/or products referred to herein are marks or registered trademarks of their respective companies, owners and/or mark holders.

Reorder #: F2644-030