

STOCK[®]
LOCKS
Standard Locks for Special Needs

STOCK LOCKS

Through your CompX National distributor . . . a program to meet your lock requirements.

CompX National manufactures a wide variety of locks for residential, commercial and industrial use. We've been solving security problems since the need for metal cabinet locks brought about the founding of our company in 1903.

The locks shown in this catalog are particularly well-suited to serve the replacement market...as well as component manufacturers. They have been proven in use.

Our experience in serving this market has shown us the importance of product quality, competitive pricing, proper packaging and immediate service and delivery. Working through your CompX National distributor, we offer a program that is committed to serving your needs.

A complete selection of locks

- Door and drawer locks for virtually every application, every security requirement.
- Wide variety of mail box locks.
- Locking devices of every description for use in schools, institutional and commercial buildings.
- Key blanks and keying kits to complement each of our locks.

Packaged for your convenience

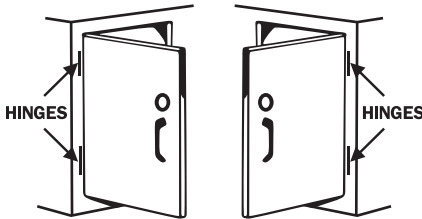
- All hardware is individually packed in see-thru poly-bags for product protection and easy inspection.
- Poly-bags of like hardware are grouped in popular quantities and placed in handy cases.
- Case designed for convenience in storage and ease in handling.
- Cases are labeled for quick identification.



how cabinet locks are used

DOOR APPLICATION

Bolt or cam at side locks to frame.



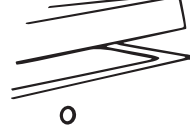
LEFT HAND

RIGHT HAND

At which edge of door hinges are located determines hand of door when facing door.

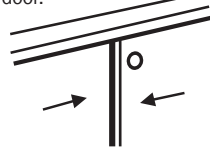
LID APPLICATION

Lock engages strike mounted on underside of lid.



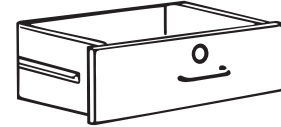
SLIDING (By-pass) DOOR APPLICATION

Lock engages strike mounted on rear door.

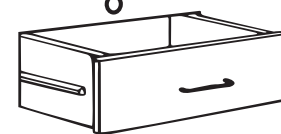


SINGLE DRAWER APPLICATIONS

Drawer mounted lock – Bolt or cam locks on frame.

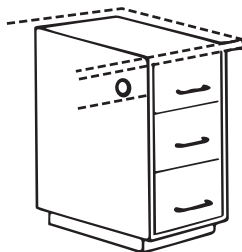


Frame mounted lock – Cam locks on back of drawer front with hook cam engaging strike.



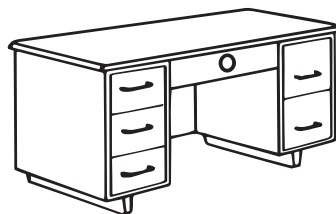
MULTIPLE DRAWER APPLICATIONS (Wood construction)

PEDESTAL/FILE



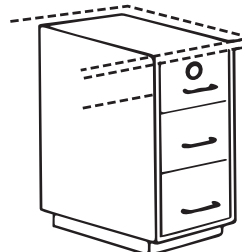
Side mounted gang lock – vertical bar movement locks all drawers simultaneously.

DESK



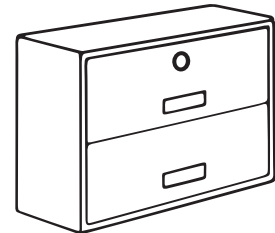
Center drawer mounted lock – Bolt locks on frame or top. Side drawer mechanism(s) actuated by locked center drawer secures drawers.

PEDESTAL/FILE



Top drawer mounted lock activates side mechanism securing other drawers.

LATERAL FILE



Top drawer mounted lock activates side mechanisms securing other drawer(s); also allows only opening one drawer at a time.

finish codes

Finish code applies to exposed portions of lock and is indicated by part number suffix, i.e.: C8053-3 Bright Brass finish.

2C - Zinc Plated	4G - Antique Brass	26 - Bright Chrome
3 - Bright Brass	14A - Bright Nickel	26D - Dull Chrome (brushed)
4 - Satin Brass	19 - Black	

key codes

Key codes stamping may appear with or without zeros preceding other numbers, i.e.: C001A and C1A are the same key code.

table of contents

Description	Page
Cams.....	17, 22 & 23
Cam Locks.....	5, 7, 12, 13, 16 & 19
Center Drawer Locking Hardware.....	18
Chest Locks.....	19
Circuit Breaker Cabinet Lock.....	21
Code Books.....	25
Deadbolt Locks.....	6, 10, 11, 14, 16 & 17
Disc Tumbler Locks.....	11-21
Door & Drawer Locks.....	6, 7, 10, 11, 14, 16, 17 & 19
Combination cam lock - DualAxes®.....	19
File Cabinet Locks.....	10 & 11
Furniture Locks.....	14-19
Gang Locks.....	14, 16 & 17
Garage Door Lock.....	21
Handle Locks.....	20
Interchangeable Cylinder Locks.....	6 & 7
Key Blanks.....	24 & 25
Key Hole Escutcheon.....	22

Description	Page
Keying Kits and Parts.....	26
Knob Locks.....	10
Lateral File Locking Hardware.....	18
Lever Tumbler Locks.....	19
Lid Locks.....	19
Mail Box Locks.....	8 & 9
Master Keys.....	25
Pedestal Locking Hardware.....	14, 16, 17, & 18
Pin Tumbler Locks.....	5-10
RemovaCore Furniture Locks.....	15-17
Sample Boards.....	27
Screwdriver Cam Latch.....	13
Sliding Door Locks.....	10 & 11
Showcase Locks.....	10
Spring bolt Locks.....	6 & 14
Strikes.....	22
Warded Barrel Key Locks.....	19

numerical index

Part #	Page	Part #	Page	Part #	Page	Part #	Page	Part #	Page
V69B-1.....	27	C3755.....	26	C7101.....	23	C8160.....	7	C8754.....	20
V69B-2.....	27	C3756.....	26	C7102.....	23	C8161.....	7	C8755.....	20
V69B-3.....	27	C3757.....	26	C7103.....	23	C8163.....	7	C8756.....	20
V69B-4.....	27	C3758.....	26	C7104.....	23	C8173.....	6	C8757.....	20
V69B-5.....	27	C3759.....	26	C7105.....	23	C8174.....	6	C8758.....	20
V69B-6.....	27	D4290.....	24	C7110.....	23	C8175.....	6	C8759.....	20
V69B-7.....	27	D4291.....	24	C7111.....	23	C8177.....	6	C8762.....	21
V69B-8.....	27	D4292.....	24	C7112.....	23	C8178.....	6	C8763.....	21
V69B-10.....	27	D4293.....	24	C7113.....	23	C8179.....	6	C8764.....	21
V69B-12.....	27	D4295.....	24	C7114.....	23	C8183.....	7	D8776.....	24
V69B-13.....	27	D4296.....	24	C7115.....	23	C8188.....	7	D8777.....	24
V70P-1.....	26	D4297.....	24	C7116.....	23	D8192.....	25	D8778.....	24
V70P-2.....	26	D4299.....	25	C7120.....	22	D8193.....	25	D8779.....	15
V71D-3.....	26	D6676.....	26	C7163.....	7	D8194.....	25	D8780.....	24
V71D-4.....	26	D6680.....	26	D8001.....	25	C8207.....	19	D8781.....	24
C500SP.....	22	D6682.....	26	D8002.....	25	C8252.....	19	D8782.....	24
C2001.....	22	D6686.....	26	D8030.....	19	C8253.....	19	D8783.....	24
C2002.....	22	C6782.....	26	D8031.....	19	C8384.....	19	D8784.....	24
C2003.....	22	C6783.....	26	C8042.....	11	C8414.....	19	D8785.....	24
C2004.....	22	C6784.....	26	C8043.....	11	D8419.....	25	D8786.....	24
C2005.....	22	C6785.....	26	C8046.....	11	D8491.....	25	D8787.....	24
C2006.....	22	C6786.....	26	C8047.....	11	D8590.....	25	D8788.....	24
C2007.....	22	C6787.....	26	C8051.....	12	D8591.....	25	D8789.....	24
C2008.....	22	C6788.....	26	C8052.....	12	C8701.....	11	D8790.....	24
C2009.....	22	C6789.....	26	C8053.....	12	C8703.....	14	D8791.....	24
C2015.....	22	C6790.....	26	C8054.....	12	C8704.....	14	D8792.....	24
C2016.....	22	C6791.....	26	C8055.....	12	C8705.....	14	D8793.....	24
C2017.....	22	C6792.....	26	C8060.....	13	C8706.....	14	D8794.....	24
C2018.....	17	C6793.....	26	C8062.....	12	C8710.....	8-9	D8795.....	24
C2073.....	6	C6794.....	26	C8065.....	13	C8711.....	8-9	D8796.....	24
C3730.....	26	C6795.....	26	C8070.....	21	C8712.....	8-9	C8797.....	21
C3731.....	26	C6796.....	26	C8073.....	13	C8713.....	8-9	D8798.....	24
C3732.....	26	C6797.....	26	C8075.....	13	C8714.....	8-9	D8799.....	25
C3733.....	26	C6798.....	26	C8080.....	13	C8715.....	8-9	C8803.....	14
C3734.....	26	C7001.....	23	D8090.....	14	C8716.....	8-9	C8826.....	19
C3735.....	26	C7002.....	23	C8101.....	5	C8717.....	8-9	C8830.....	16
C3736.....	26	C7003.....	23	C8102.....	5	C8718.....	8-9	C8832.....	16
C3737.....	26	C7004.....	23	C8103.....	5	C8719.....	8-9	C8834.....	16
C3738.....	26	C7005.....	23	C8106.....	5	C8720.....	8-9	D8836.....	16
C3740.....	26	C7006.....	23	C8108.....	5	C8721.....	8-9	D8838.....	17
C3741.....	26	C7007.....	23	C8109.....	5	C8722.....	8-9	D8840.....	17
C3742.....	26	C7008.....	23	C8131.....	6	C8723.....	8-9	C8850.....	15
C3743.....	26	C7009.....	23	C8133.....	6	C8724.....	8-9	D8890.....	25
C3744.....	26	C7010.....	23	C8135.....	6	C8725.....	8-9	C8896.....	11
C3745.....	26	C7011.....	23	C8137.....	10	C8726.....	8-9	D8950.....	18
C3746.....	26	C7012.....	23	C8139.....	6	C8730.....	9	D8951.....	18
C3747.....	26	C7013.....	23	C8140.....	10	C8732.....	9	D8952.....	18
C3750.....	26	C7014.....	23	C8142.....	10	C8733.....	9	D8999.....	25
C3751.....	26	C7015.....	17	C8143.....	10	C8735.....	9	C9100.....	9
C3752.....	26	C7020.....	17	C8150.....	10	C8747.....	20	C9200.....	9
C3753.....	26	C7021.....	17	C8154.....	10	C8749.....	20	C9300.....	9
C3754.....	26	C7022.....	17	C8155.....	10	C8751.....	20		

The Family Of...



PO Box 200
Mauldin, SC 29662
Phone: 864-297-6655 Fax: 864-297-9987
E-Mail: national@compX.com
compX.com



715 Center Street
Grayslake, IL 60030
Phone: 847-752-2500 Fax: 847-752-2419
E-Mail: fort@compX.com
compX.com



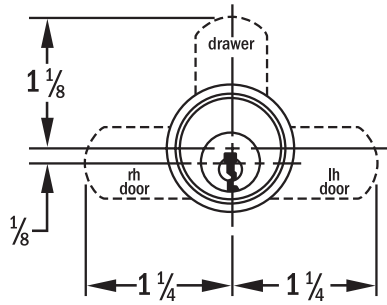
715 Center Street
Grayslake, IL 60030
Phone: 847-752-2600 Fax: 847-752-2420
E-Mail: timberline@compX.com
compX.com



PO Box 200
Mauldin, SC 29662
Phone: 864-297-6655 Fax: 864-297-9987
E-Mail: chicago@compX.com
compX.com

pin tumbler cylinder cam locks

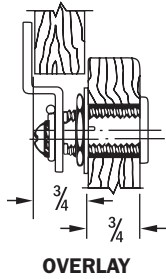
CAM DIMENSIONS



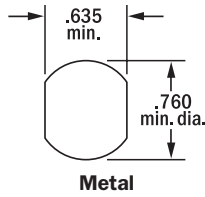
Through the use of a shifter, the 360° key turn turns the cam 90° in either direction. Actual application determines which cam position is the locked position. Each lock is furnished with an alternate cam for opposite cam turn.

Applications: solid lines show locked position of cam	Position of shifter on back of lock	Applications: solid lines show locked position of cam	Position of shifter on back of lock
right hand door	drawer	left hand door	drawer

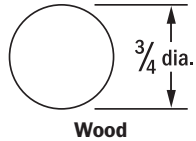
MOUNTING HOLES FOR CYLINDER CAM LOCKS



OVERLAY

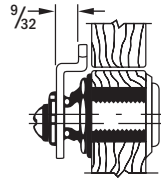


Metal

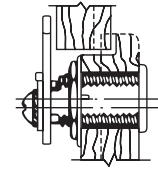


Wood

BRASS CONSTRUCTION



FLUSH

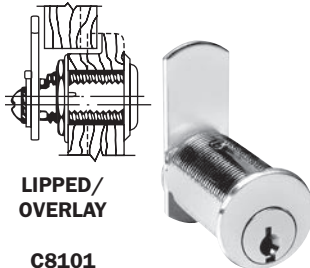


LIPPED/
OVERLAY



8102

The C8102, as shown above in both pictures, is a Multi-Functional Pin Tumbler Cam Lock with a 1-1/16" Cylinder Length. The lock is packaged with four (4) cams, two straight and two double formed. This allows the lock to be used for multiple applications for either right hand/left hand doors with lipped or overlay construction.



LIPPED/
OVERLAY

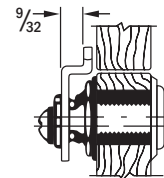
C8101
C8103
C8109

APPLICATION - For drawer, R.H. or L.H. doors. C8103 and C8109 are for lipped or overlay construction. For overlay application, the combined thickness of front and frame cannot exceed the cylinder length. Also see overlay detail below. The other locks are for flush application.

OPERATION - 90° cam turn, key removable in both locked and unlocked positions.

KEYING - Will key together with all other pin tumbler locks using D4291 key blank except locks shown on pages 8 and 9. See table for available keying. Master keying to GM1.

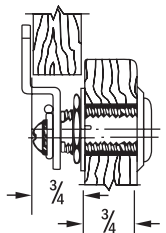
PACKAGING - Supplied with two keys, trim washer, spur washer for wood, mounting nut and two cams. If flat washer (for metal) is needed, order C2015-2C separately. See page 22.



FLUSH



C8106
C8108



OVERLAY

Specific cams to be used with C8102 lock are available for overlay construction using a 3/4" thick front and 3/4" thick frame. See page 23 for details.

Part No.	Type of Mounting	Cylinder Length	Maximum Material Thickness	KA* Codes	Key Changes		Case Quantity	Reference Number	Key Blank
					KD	MKKD			
C8101-26D	Lipped/Overlay	15/16"	5/8"	4	850	650	10	M2-0106B	D4291
C8101-4		15/16"	5/8"	2	850		10	M2-0106B	D4291
C8102-26D	Flush	1-1/16"	3/4"	4	850	650	10	M2-0106DF	D4291
C8102-4	Flush	1-1/16"	3/4"	2	850		10	M2-0106DF	D4291
C8103-26D	Lipped/Overlay	1-3/16"	7/8"	4	850	650	10	M2-0106L	D4291
C8103-4		1-3/16"	7/8"	2	850		10	M2-0106L	D4291
C8106-26D	Flush	1-7/16"	1-1/8"	4	850	650	10	M2-0106MF	D4291
C8106-4	Flush	1-7/16"	1-1/8"	2	850		10	M2-0106MF	D4291
C8108-26D	Flush	1-3/4"	1-3/8"	4	850	650	10	M2-0106NF	D4291
C8108-4	Flush	1-3/4"	1-3/8"	2	850		10	M2-0106NF	D4291
C8109-26D	Lipped/Overlay	1-3/4"	1-1/2"	4	850	650	10	M2-0106N	D4291
C8109-4		1-3/4"	1-1/2"	2	850		10	M2-0106N	D4291

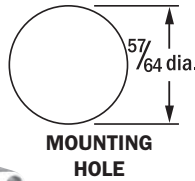
*Key Codes used: 2 Codes - 107 and 915.

4 Codes - 101, 103, 107 and 915.

pin tumbler door & drawer locks

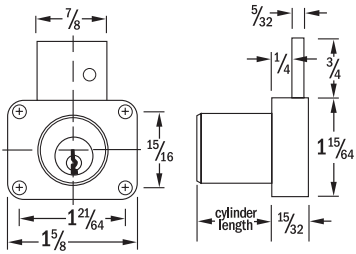


For more information about BHMA certified locks, visit compX.com/csp_bhma.html



Re-Keying Made Easy
ADVANTAGE™ +PLUS

To see a video of Advantage PLUS+ visit CompX online: compX.com/advplus



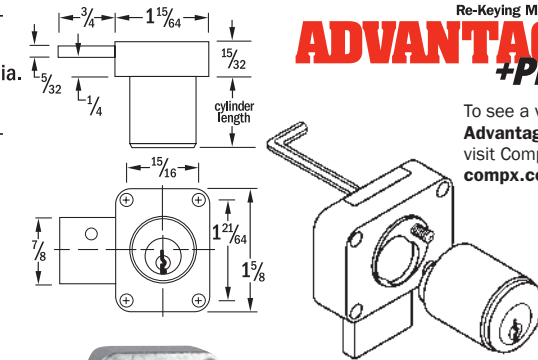
C8177, C8178, C8179

APPLICATION – For drawers, R.H. or L.H. doors. Surface mounted. Requires 57/64" diameter hole for cylinder.

OPERATION – Key removable in both locked and unlocked positions.

KEYING – Will key together with all other pin tumbler locks using D4291 key blank except locks shown on pages 8 and 9. See table for available keying. Master keying to GM1.

PACKAGING – Supplied with two keys, strike and mounting screws. If trim ring is required, order C2017 separately. See page 22.



C8173, C8174, C8175

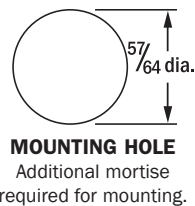
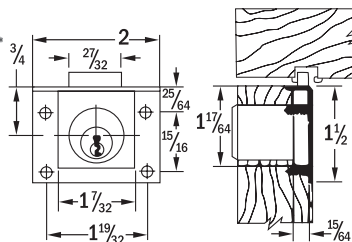
The PLUS feature allows you to remove the cylinder from our pin tumbler box locks while the lock remains in place. No mounting screws need to be removed. Simply use a 5/64" allen wrench from the back to remove the cylinder and plug for re-keying.

Part No.	Installation	Bolt Type	Cylinder Length	Bolt Travel	KA* Codes	Key Changes		Case Quantity	Reference Number	Key Blank
						KD	MKKD			
C8173-26D	Door	Dead	7/8"	3/4"	4	850	650	10	M2-3713-301	D4291
C8173-4	Door	Dead	7/8"	3/4"	2	850	650	10	M2-3713-301	D4291
C8173-4G	Door	Dead	7/8"	3/4"	2	850	—	10	M2-3713-301	D4291
C8174-26D	Door	Dead	1-1/8"	3/4"	4	850	650	10	M2-3713-311	D4291
C8175-26D	Door	Dead	1-3/8"	3/4"	4	850	650	10	M2-3713-321	D4291
C8178-26D	Drawer	Dead	7/8"	3/4"	4	850	650	10	M2-3718-301	D4291
C8178-4	Drawer	Dead	7/8"	3/4"	2	850	—	10	M2-3718-301	D4291
C8178-4G	Drawer	Dead	7/8"	3/4"	2	850	—	10	M2-3718-301	D4291
C8177-26D	Drawer	Dead	1-1/8"	3/4"	4	850	—	10	M2-3718-311	D4291
C8179-26D	Drawer	Dead	1-3/8"	3/4"	4	850	650	10	M2-3718-321	D4291
C8179-4	Drawer	Dead	1-3/8"	3/4"	2	850	—	10	M2-3718-321	D4291



1/8" black plastic spacer for pin tumbler door and drawer locks. Packed 25 pcs. per bag.

All locks above are ANSI/BHMA certified Grade 2 A156.11. Grade 1 locks are available as special order.

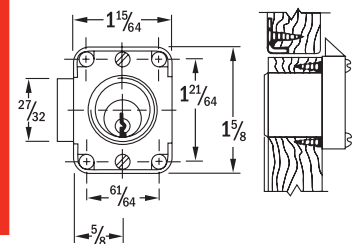


APPLICATION – For drawers. Half mortise type requires mortise for housing and 57/64" diameter hole for cylinder. C8139 is surface mounted.

OPERATION – Key removable in both locked and unlocked positions except C8131 and C8139.

KEYING – Will key together with all other pin tumbler locks using D4291 key blank except locks shown on pages 8 and 9. See table for available keying. Master keying to GM1.

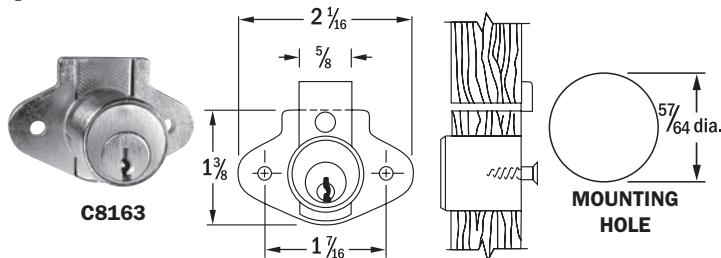
PACKAGING – Supplied with two keys, strike and mounting screws. If trim ring is required, order C2017 separately. See page 22.



Part No.	Installation	Bolt Type	Cylinder Length	Bolt Travel	KA* Codes	Key Changes		Case Quantity	Reference Number	Key Blank
						KD	MKKD			
C8131-26D**	Drawer	Spring	7/8"	7/32"	4	850	650	10	M2-3701-121	D4291
C8131-4**	Drawer	Spring	7/8"	7/32"	2	850	—	10	M2-3701-121	D4291
C8133-26D	Drawer	Dead	7/8"	1/4"	4	850	—	10	M2-3700-111	D4291
C8133-4	Drawer	Dead	7/8"	1/4"	2	850	—	10	M2-3700-111	D4291
C8135-26D	Drawer	Dead	1-1/8"	1/4"	4	850	—	10	M2-3700-159	D4291
C8139-26D**	Door	Spring	3/4"	7/32"	4	850	650	10	M2-3719-092	D4291

*Key Codes used: 2 Codes – 107 and 915.
4 Codes – 101, 103, 107 and 915.
**Key removable in locked position only.

pin tumbler drawer locks



C8163

APPLICATION – For drawers. Surface mounted. Requires 57/64” diameter hole for cylinder.

OPERATION – Key removable in both locked and unlocked positions.

KEYING – Will key together with all other pin tumbler locks using D4291 key blank except locks shown on pages 8 and 9. See table for available keying. Master keying to GM1.

PACKAGING – Supplied with two keys and mounting screws. If trim ring is required, order C2017 separately. See page 22.

“THE ADVANTAGE PLUS”



C8163 locks feature easy removal of cylinder from lock housing while lock remains in place. Bolt has access hole for cylinder retention screw at back of lock. U.S. Patent No. 4.899.563.



C7163-2C

Extended bolt for C8163 drawer lock provides 3” extension, can be cut to required length. Packed 20 pcs. per bag.

Part No.	Installation	Bolt Type	Cylinder Length	Bolt Travel	KA* Codes	Key Changes		Case Quantity	Reference Number	Key Blank
						KD	MKKD			
C8163-26D	Drawer	Dead	15/16”	11/32”	4	850	650	10	M2-3705	D4291
C8163-4	Drawer	Dead	15/16”	11/32”	4	850	650	10	M2-3705	D4291

pin tumbler door & drawer locks

“THE ADVANTAGE PLUS” CAM LOCKS

The locks are fastened in place with two screws for easy installation. Re-keying or servicing is accomplished by removing the cam retaining screw and cam. Use a 5/64” allen wrench to remove the plug cylinder assembly. The mounting plate remains installed on the cabinet. Re-key as required and reinstall cylinder plug assembly on mounting plate.

U.S. PATENT NO. 5.678.438

APPLICATION – For drawer, R.H. or L.H. doors. C8183 assembled for door function. C8188 assembled for drawer function.

OPERATION – 90° cam turn, key removable in both locked and unlocked positions.

KEYING – Will key together with all other pin tumbler locks using D4291 key blank except locks shown on pages 8 and 9. See table for available keying. Master keying to GM1.

ONE LOCK, TWO FUNCTIONS
DOOR OR DRAWER



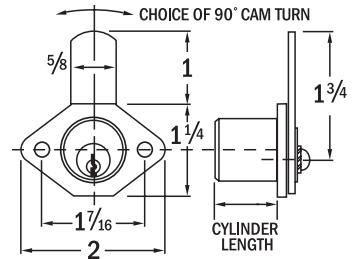
C8183

Assembled as a Door Lock

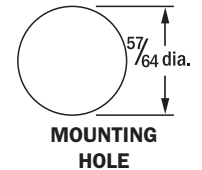


C8188

Assembled as a Drawer Lock



PACKAGING – Supplied with two keys, extra backplate, two cams and two mounting screws. If trim ring is required, order C2017 separately. See page 22. **Note:** If formed cam is required, order C7113 or C7116. See page 23.

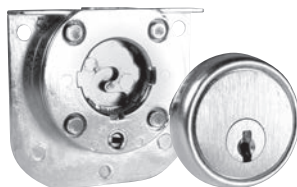


MOUNTING HOLE

Part No.	Type of Mounting	Cylinder Length	Maximum Material Thickness	KA* Codes	Key Changes		Case Quantity	Reference Number	Key Blank
					KD	MKKD			
C8183-26D	Flush	7/8”	7/8”	4	850	650	10	M2-8183	D4291
C8188-26D		1-3/8”	1-3/8”	4	850	650	10	M2-8188	D4291

*Key Codes used: 4 Codes – 101, 103, 107 and 915.

pin tumbler drawer lock



C8161

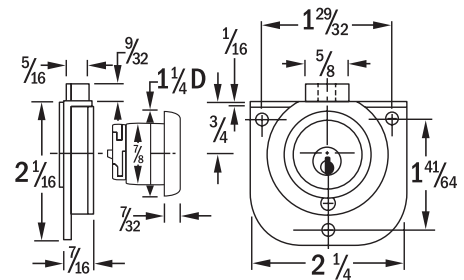
C8160

APPLICATION – Replacement lock housing and cylinder for drawers with 7/8” thick fronts. Half mortise design.

OPERATION – Key removable in both locked and unlocked positions. Interchangeable cylinders are attached or removed through the use of a special key at back of lock.

KEYING – Keyed differently (100 changes).

PACKAGING – C8160 cylinder supplied with two keys. C8161 lock housing supplied with cylinder removal key and mounting screws.



Part No.	Type of Mounting or Installation	Bolt Type	Minimum Material Thickness	Bolt Travel	Key Changes KD	Case Quantity	Reference Number	Key Blank
C8160-26D	In Housing	–	–	–	100	10	M2-3720-025	D4292
C8161-26	Drawer	Dead	7/8”	9/32”	–	10	M3-3720-011	–

Part No.: **M337201341W010J** for replacement cylinder removal keys.

pin tumbler mail box locks

GENUINE FACTORY REPLACEMENT LOCKS

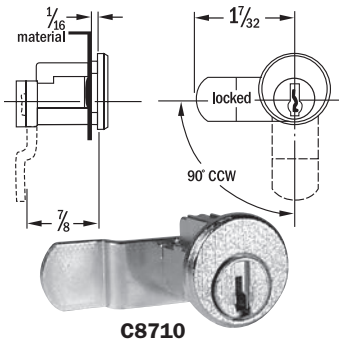
APPLICATION - For doors on architectural mail boxes serviced by United States Postal Service.

OPERATION - 90° cam turn. See drawing for specific operation. Key removal in locked position only.

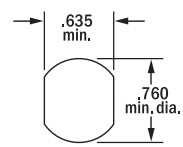
KEYING - Available keyed differently only (100 changes).

PACKAGING - Supplied with two keys and a spring mounting clip. C8720 furnished with trim ring.

*C8712 and C8720 are provided with a **threaded cylinder**, with proper clip grooving.



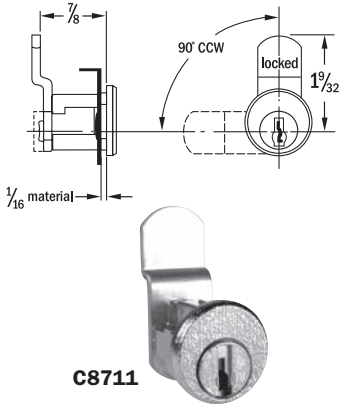
C8710



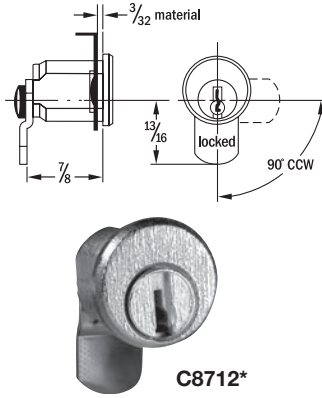
MOUNTING HOLE FOR ALL LOCKS



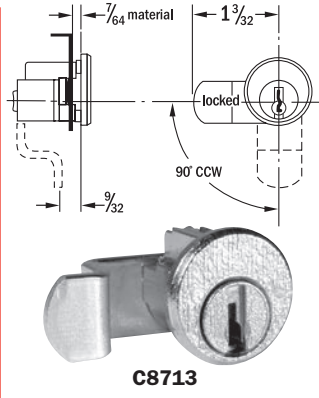
SPRING MOUNTING CLIP



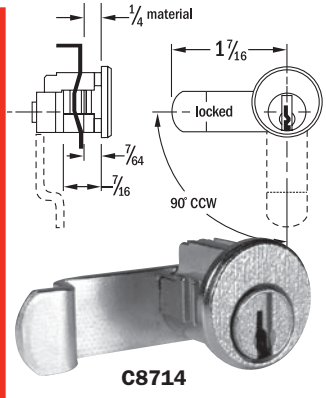
C8711



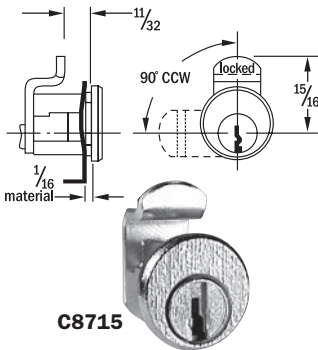
C8712*



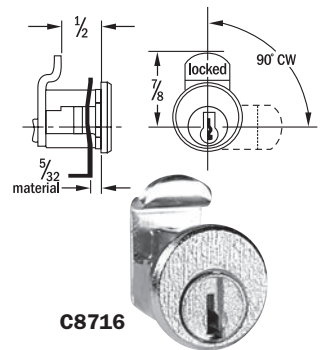
C8713



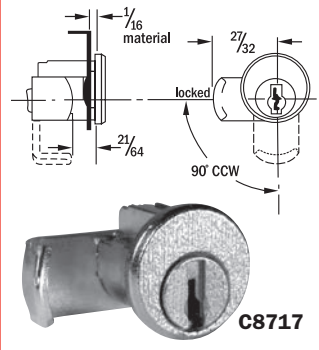
C8714



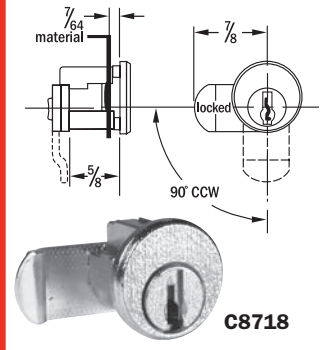
C8715



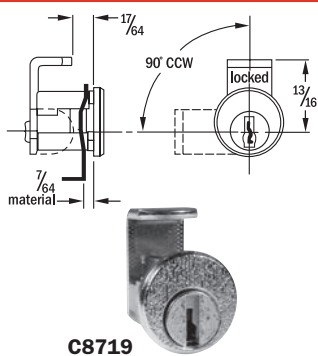
C8716



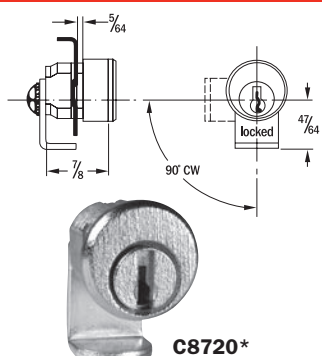
C8717



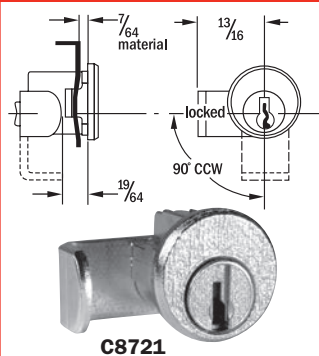
C8718



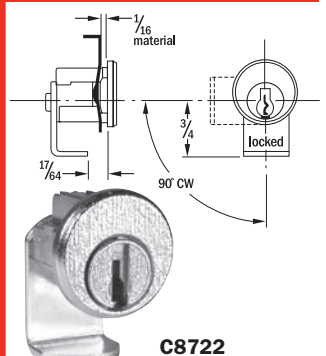
C8719



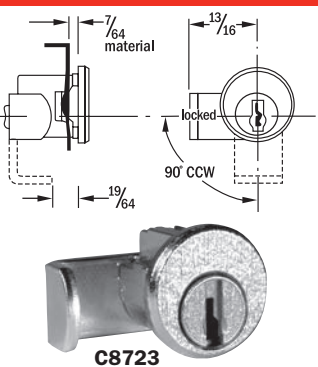
C8720*



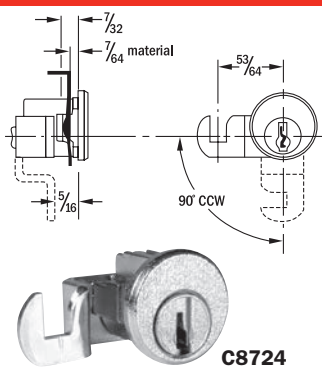
C8721



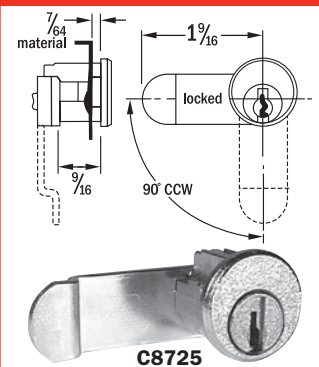
C8722



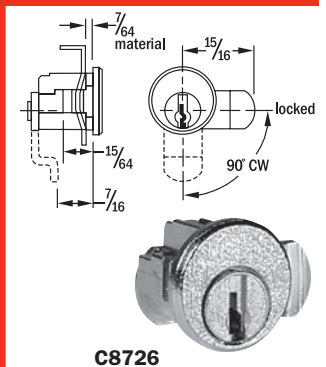
C8723



C8724



C8725

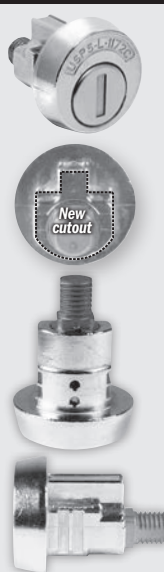


C8726

pin tumbler mail box locks

Part No.	Locked Cam Position	Direction of Turn to Open	Replaces	Key Changes KD	Case Quantity	Key Blank
C8710	Left	90° c/cw	Bommer Industries	100	25	D4291
C8711	Up	90° c/cw	Bommer Industries	100	25	D4291
C8712	Down	90° c/cw	Bommer Industries	100	25	D4291
C8713	Left	90° c/cw	Auth Electric – Also replaces Bommer Lock B25-300 used on Bommer Box No. 9015 (sleeve inside box must be removed)	100	25	D4291
C8714	Left	90° c/cw	American Device	100	25	D4291
C8715	Up	90° c/cw	Florence Mfg.	100	25	D4291
C8716	Up	90° cw	S.H. Couch	100	25	D4291
C8717	Left	90° c/cw	Nutone	100	25	D4291
C8718	Left	90° c/cw	Cutler Mail Chute	100	25	D4291
C8719	Up	90° c/cw	Miami-Carey	100	25	D4291
C8720	Down	90° cw	Dura Steel	100	25	D4291
C8721	Left	90° c/cw	Permabit – XL-201	100	25	D4291
C8722	Down	90° cw	Dura Steel – XL-202	100	25	D4291
C8723	Left	90° c/cw	Jensen General	100	25	D4291
C8724	Left	90° c/cw	Bommer Industries	100	25	D4291
C8725	Left	90° c/cw	Cutler Federal	100	25	D4291
C8726	Right	90° cw	Riopel – Canada	100	25	D4291

New Mailbox Lock – C9100 & C9200



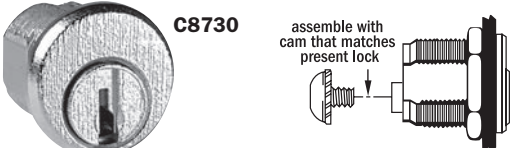
- Only mailbox lock to meet and exceed United States Postal Service specification "USPS-L-1172C"
- Lock can withstand 1000 pounds of force applied to the cam.
- Accommodates up to 3/16" thick cam
- Drain holes on the bottom of the cylinder
- Includes: a spring clip, mounting nut and (3) keys
- C9100 operates clockwise
- C9200 operates counter clockwise
- Will be shipped w/o cam for replacement of locks for new Standard 4C boxes shipped only to USPS

Key Blank codes:

Standard Part no.	Reverse Part no.
D4300	D4301
1000 - 1999	2000 - 2999
3000 - 3999	4000 - 4999

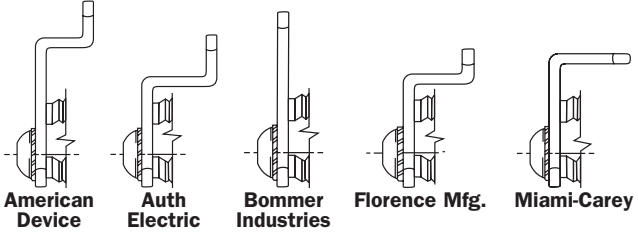
Key blanks ship 50 per box.

pin tumbler "multi-cam"™ mail box locks

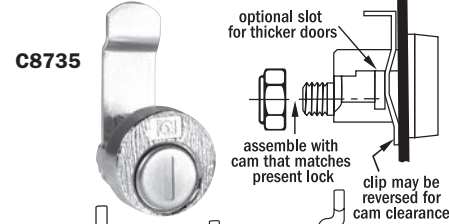


C8730

assemble with cam that matches present lock



American Device Auth Electric Bommer Industries Florence Mfg. Miami-Carey

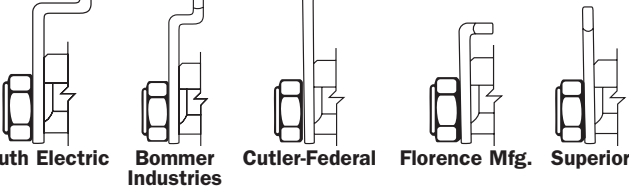


C8735

optional slot for thicker doors

assemble with cam that matches present lock

clip may be reversed for cam clearance



Auth Electric Bommer Industries Cutler-Federal Florence Mfg. Superior

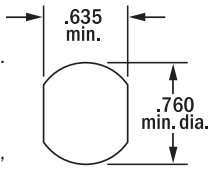
THIS LOCK MEETS U.S.P.S. SPECIFICATION #L-1172 AND DRAWING #1003833 FOR NDCBU AND CBU APPLICATIONS.

APPLICATION – Interior architectural mail boxes used in apartments, condominiums, schools, lobbies. Nut or clip mounted.

OPERATION – 90° counter-clockwise cam turn to open. Key removable in locked position only.

KEYING – Available keyed differently only (100 changes).

PACKAGING – Supplied with selection of five cams, two keys, mounting nut, mounting clip and cam screw.



MOUNTING HOLE FOR C87XX LOCKS

.635 min.

.760 min. dia.

APPLICATION – Exterior pedestal-mounted neighborhood boxes. Has keyway dust shutter for lock protection. Clip mounted.

OPERATION – 90° clockwise cam turn to open. Key removable in locked position.

KEYING – Available keyed differently only (100 changes).

PACKAGING – Supplied with a selection of five cams, two keys, mounting clip, cam locking nut.

Part No.	Installation	Direction of Turn to Open	Key Changes KD	Case Quantity	Key Blank
C8730	Architectural mail box fronts	90° c/cw	100	25	D4291
C8732	Same as C8735 w/o cams	90° cw	100	25	D4291
C8733	Same as C8735 w/o cams	90° c/cw	100	25	D4291
C8735	Door of pedestal mounted neighborhood boxes	90° cw	100	25	D4291

new! postal lock for non-USPS delivered sites

C9300



The new C9300 postal lock is for private delivery postal mailboxes only in colleges, universities, commercial buildings, mail / parcel centers.

APPLICATION – Interior or exterior, pedestal-mounted or in-wall boxes. Screw mounted. Hardware not included. Commercial equivalent of USPS 306-B.

OPERATION – 90° counter-clockwise cam turn to open. Key removable in locked position.

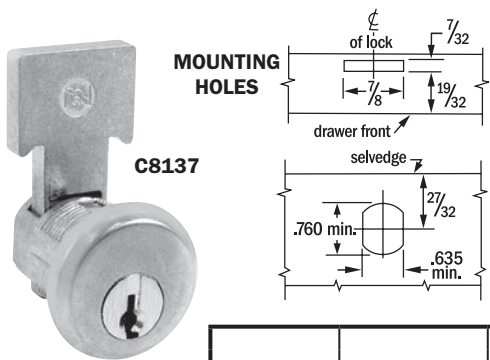
KEYING – Available keyed differently only (4,000 changes).

PACKAGING – Supplied with cam assembled and three keys. Case quantity: 25 per box.



Replacement key blanks ship 10 per bag.

pin tumbler drawer locks



New for March 2013 – C8137 lock with STAINLESS STEEL bolt!
 The stainless steel bolt withstands a higher degree of abuse and is a direct replacement for existing C8137 with die-cast bolts.

APPLICATION – For center drawers of metal desks. Fits special piercing of drawer front and selvage (see drawing).

OPERATION – Key removable in both locked and unlocked positions.

KEYING – Will key together with all other pin tumbler locks using D4291 key blank except locks shown on pages 8 & 9. See table for available keying. Master keying to GM1.

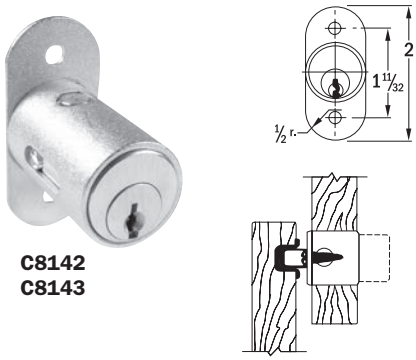
PACKAGING – Supplied with two keys, mounting nut and stainless steel insertable bolt.

Part No.: C7137 – Stainless steel replacement insertable bolts. Sold in bags of 10.
 M337272116X150J – Die-cast replacement insertable bolts.

Part No.	Installation	Bolt Type	Cylinder Length	Bolt Travel	KA* Codes	Key Changes		Case Quantity	Reference Number	Key Blank
						KD	MKKD			
C8137-26D	Metal Drawer, 1/4" Max Mat'l Thickness	Stainless steel Insertable Dead Bolt	19/32"	7/16"	4	850	650	10	M2-3727-001	D4291

*Key Codes used: 4 Codes – 101, 103, 107 and 915.

pin tumbler sliding door, file cabinet locks

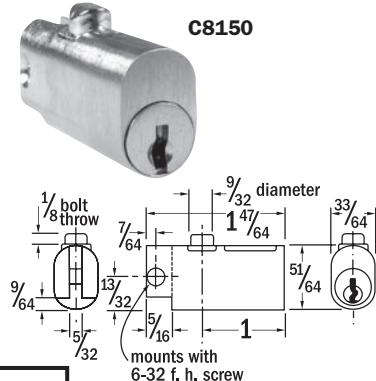


APPLICATION – C8140 is for sliding glass doors. C8142 and C8143 are for wood sliding doors and require a 7/8" diameter hole in front door for cylinder. C8150 is used internally on filing cabinets to gang lock drawers.

OPERATION – C8140 and C8150: key removable in locked position only. C8142 and C8143: key removable in both locked and unlocked positions.

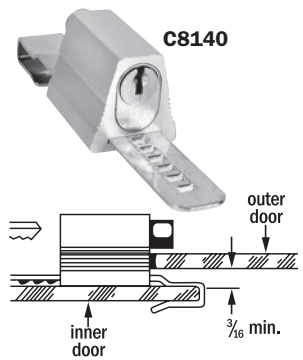
KEYING – Will key together with all other pin tumbler locks using D4291 key blank except locks shown on pages 8 & 9. See table for available keying. Master keying to GM1.

PACKAGING – Supplied with two keys. C8142 and C8143 furnished with strike and mounting screws. If trim ring is required, order C2017 separately. See page 22.

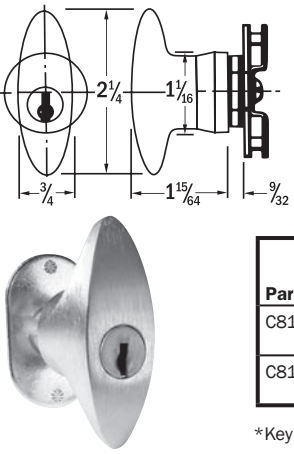


Part No.	Installation	Bolt Type	Cylinder Length	Bolt Travel	KA* Codes	Key Changes		Case Quantity	Reference Number	Key Blank
						KD	MKKD			
C8140-26D	Plate Glass Sliding Doors	Internal Spring	—	—	4	100	—	10	M2-0225-001	D4291
C8142-26D	Sliding Doors	Plunger	1-1/8"	7/16"	6	100	100	10	M2-3707-157	D4291
C8142-4	Sliding Doors	Plunger	1-1/8"	7/16"	2	100	—	10	M2-3707-157	D4291
C8143-26D	Sliding Doors	Plunger	1-3/8"	7/16"	4	100	—	10	M2-3707-160	D4291
C8143-4	Sliding Doors	Plunger	1-3/8"	7/16"	2	100	—	10	M2-3707-160	D4291
C8150-26D	Filing Cabinet	Spring	—	1/8"	5	850	—	10	M2-4847-001	D4291

*Key Codes used: 2 Codes – 107 and 915.
 4 Codes – 101, 103, 107 and 915.
 5 Codes – 101, 102, 103, 107 and 915.
 6 Codes – 101, 103, 105, 106, 107 and 915.



pin tumbler knob locks



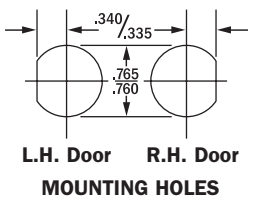
APPLICATION – For metal cabinets doors. Reversible for R.H. or L.H. application. Latch plate is used for either in 2** or 3 point latching.

OPERATION – 90° turn to open. Choice of key operation, see table.

KEYING – Will key together with all other pin tumbler locks using D4291 key blank except locks shown on pages 8 & 9. See table for available keying. Master keying to GM1.

PACKAGING – Supplied with two keys, mounting nut and screw for latch plate.

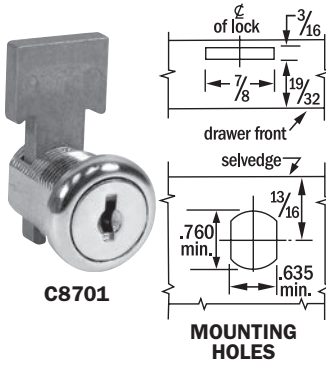
**Install with tongue pointing away from jamb.



Part No.	Installation	Operation of Key	Maximum Material Thickness	KA* Codes	Key Changes KD	Case Quantity	Reference Number	Key Blank
C8154-26D	Door	Key Removable in Both Locked and Unlocked Positions	1/8"	3	650	10	M2-0721-010 w/M3-6921	D4291
C8155-26D	Door	Key Removable in Locked Position Only	1/8"	1	650	10	M2-0721-060 w/M3-6921	D4291

*Key Codes used: 1 Code – 915.
 3 Codes – 103, 107 and 915.

disc tumbler drawer locks



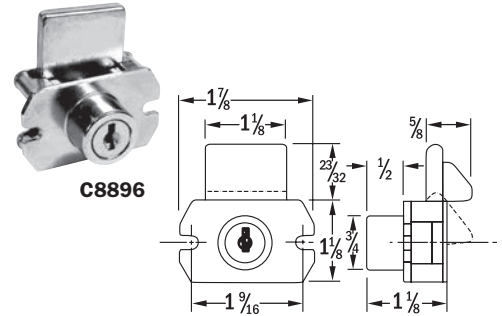
APPLICATION - C8701: for center drawers of metal desks. Fits special piercing of drawer front and selvedge (see drawing). C8896 is a specific replacement lock.

OPERATION - Key removable in both locked and unlocked positions.

KEYING - C8701 will key together with all other disc tumbler locks using D8785 key blank. See table for available keying. Master keying to E41A using D8783 key blank.

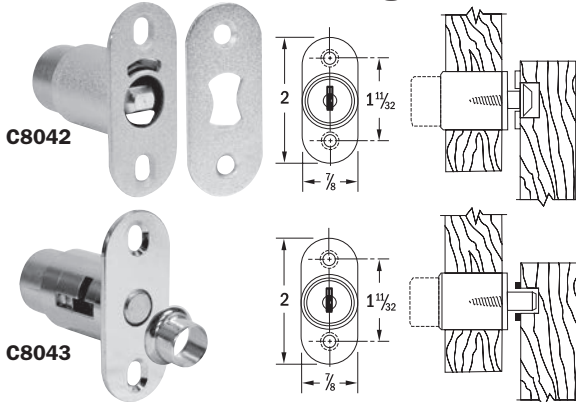
PACKAGING - Supplied with two keys. C8701 furnished with mounting nut.

Part No.: M503441026X150J - Replacement insertable bolts for C8701.



Part No.	Installation	Bolt Type	Cylinder Length	Bolt Travel	KA* Codes	Key Changes		Case Quantity	Reference Number	Key Blank
						KD	MKKD			
C8701-14A	Metal Drawer, 1/4" max. mat'l. thickness	Reinforced Insertable Dead Bolt	19/32"	11/32"	6	200	200	25	M4-0344-001	D8785
C8896-26D	Desk Drawer	Dead	1/2"	5/8"	1	50	-	10	M4-5596-001	D8785

disc tumbler sliding door locks

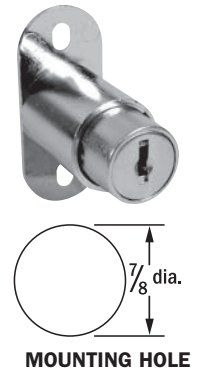


APPLICATION - For wood sliding doors. Requires a 7/8" diameter hole in front door for cylinder.

OPERATION - C8042: push in cylinder, key turn engages bolt behind strike. C8043: pushing in cylinder locks doors. Key removable in both locked and unlocked positions.

KEYING - Will key together with all other disc tumbler locks using D8785 key blank. See table for keying. Master keying to E41A using D8783 key blank.

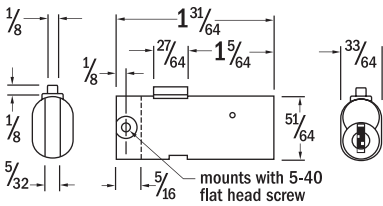
PACKAGING - Supplied with two keys, strike and mounting screws. If trim ring is required, order C2017 separately. See page 22.



Part No.	Installation	Bolt Type	Cylinder Length	Bolt Travel	KA* Codes	Key Changes		Case Quantity	Reference Number	Non MK Key Blank
						KD	MKKD			
C8042-26D	Sliding Doors	90° Turn Hook	7/8"	7/16"	3	200	-	10	M4-0057-001	D8785
C8043-26D	Sliding Doors	Plunger	1"	7/16"	6	200	200	10	M4-0055	D8785
C8043-3	Sliding Doors	Plunger	1"	7/16"	6	200	-	10	M4-0055	D8785
C8043-14A	Sliding Doors	Plunger	1"	7/16"	6	200	-	10	M4-0055	D8785

*Key Codes used: 1 Code - C415A.
 3 Codes - C346A, C413A and C415A.
 6 Codes - C346A, C390A, C413A, C415A, C420A and C642A.

disc tumbler file cabinet locks

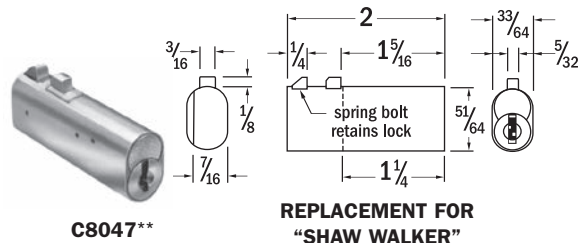


APPLICATION - Used internally on filing cabinets to gang lock drawers.

OPERATION - Key removable in locked position only.

KEYING - Keyed only to "Pundra" keyway. See table for available keying.

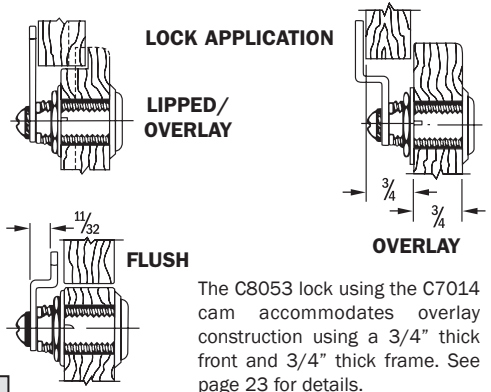
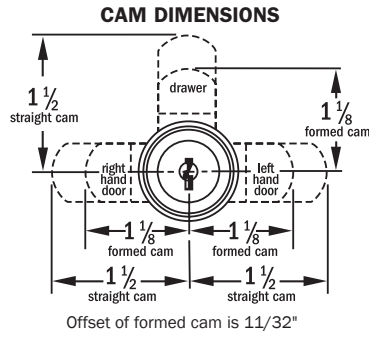
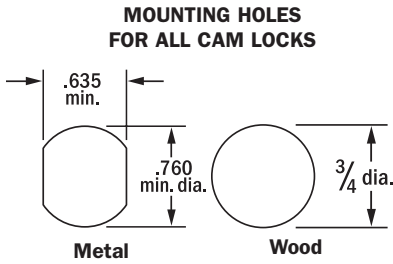
PACKAGING - Supplied with two keys.



Part No.	Installation	Bolt Type	Bolt Travel	KA* Codes	Key Changes		Case Quantity	Reference Number	Key Blank
					KD	MKKD			
C8046-26	Filing Cabinet	Spring	1/8"	1	200	-	10	P4-3003	D8776
C8047-26**	Filing Cabinet	Spring	1/8"	1	200	-	10	P4-3012	D8776

* Key Codes used: 1 Code - P141A.
 ** Item will be discontinued when inventory is depleted.

disc tumbler cylinder cam locks



The C8053 lock using the C7014 cam accommodates overlay construction using a 3/4" thick front and 3/4" thick frame. See page 23 for details.

All locks feature **FlexaCam™**
 Three spacers enclosed with most CompX National threaded disc tumbler cam locks offer three thicknesses - providing up to 12 different dimensional variations.

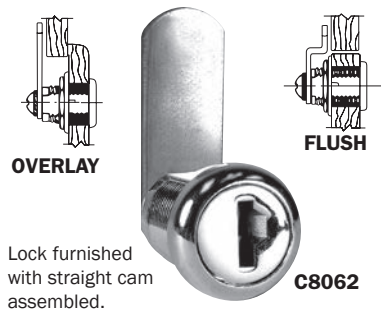
APPLICATION - For drawers, R.H. or L.H. doors with lipped/overlay construction (straight cam) or flush construction (formed cam). For overlay application, the combined thickness of front and frame cannot exceed the cylinder length. Also see overlay detail at above right.
OPERATION - 90° cam turn on all locks. Key removable in both locked and unlocked positions.
KEYING - Will key together with all other disc tumbler locks using D8785 key blank. See table for available keying. Master keying to E41A using D8783 key blank.
PACKAGING - Supplied with two keys, trim washer, spur washer (for wood), mounting nut and two cams. If flat washer (for metal) is needed, order C2015-2C separately. See page 22.



Part No.	Type of Mounting	Cylinder Length	Maximum Material Thickness	KA* Codes	Key Changes		Case Quantity	Reference Number	Non MK
					KD	MKKD			Key Blank
C8051-14A	Lipped/Overlay or Flush	7/16"	7/64"	10	200	200	25	M4-0553	D8785
C8051-3		7/16"	7/64"	3	200	-	25	M4-0553	D8785
C8052-14A		5/8"	15/64"	10	200	200	25	M4-0054	D8785
C8052-3		5/8"	15/64"	3	200	-	25	M4-0054	D8785
C8054-14A		15/16"	5/8"	10	200	200	25	M4-0054B	D8785
C8054-3		15/16"	5/8"	3	200	-	25	M4-0054B	D8785
C8054-4G		15/16"	5/8"	3	200	-	25	M4-0054B	D8785
C8053-14A		1-3/16"	7/8"	10	200	200	25	M4-0054C	D8785
C8053-3		1-3/16"	7/8"	6	200	200	25	M4-0054C	D8785
C8053-4G		1-3/16"	7/8"	6	200	200	25	M4-0054C	D8785
C8055-14A		1-7/16"	1-1/8"	10	200	200	25	M4-0054L	D8785
C8055-3		1-7/16"	1-1/8"	6	200	200	25	M4-0054L	D8785
C8055-4G		1-7/16"	1-1/8"	6	200	200	25	M4-0054L	D8785

*Key Codes used: 3 Codes - C346A, C413A and C415A.
 6 Codes - C346A, C390A, C413A, C415A, C420A and C642A.
 10 Codes - C205A, C267A, C346A, C361A, C390A, C413A, C415A, C420A, C441A and C642A.

disc tumbler reversible key cam locks



APPLICATION - For drawers, R.H. or L.H. doors with overlay (straight cam) or flush (formed cam) construction. For overlay application, the combined thickness of front and frame cannot exceed the 7/8" cylinder length. See above for mounting hole detail.
OPERATION - 90° cam turn. Key removable in both locked and unlocked positions.
KEYING - Reversible key operation. Keyed to SK Series; does not key with other disc tumbler locks in this catalog. See table for available keying.
PACKAGING - Supplied with two keys, spur washer (for wood), mounting nut and two cams. If flat washer (for metal) is needed, order C2015-2C separately. See page 22.

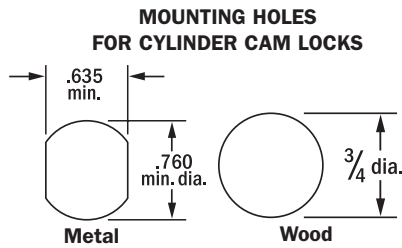


Part No.	Type of Mounting	Cylinder Length	Maximum Material Thickness	KA* Codes	Key Changes KD	Case Quantity	Reference Number	Key Blank
* C8062-14A	Overlay or Flush	7/8"	9/16"	1 SK1	100	25	M4-0300	D8777

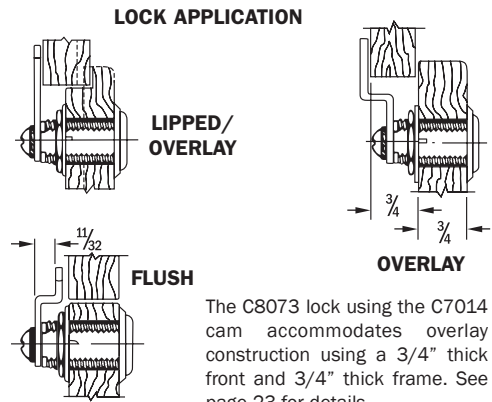
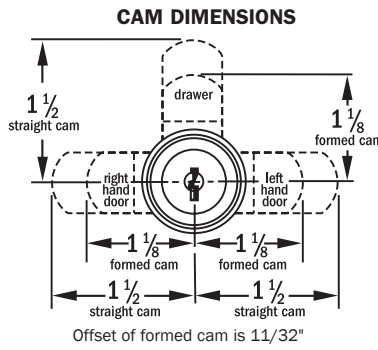
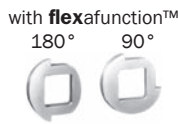
* Not available with FlexaCam™



disc tumbler cylinder cam locks



C8060, C8073, C8075

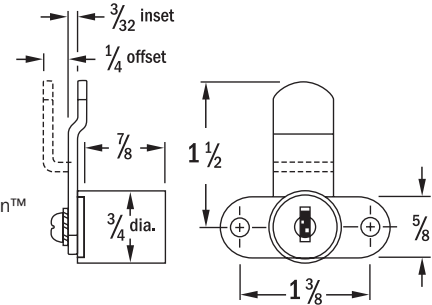


The C8073 lock using the C7014 cam accommodates overlay construction using a 3/4" thick front and 3/4" thick frame. See page 23 for details.

All locks feature **FlexaCam™**
 Three spacers enclosed with most CompX National threaded disc tumbler cam locks offer three thicknesses - providing up to 12 different dimensional variations. See diagram on page 12.



C8080



APPLICATION - For drawers, R.H. or L.H. doors with lipped/overlay construction (straight cam) or flush construction (formed cam). For overlay application, the combined thickness of front and frame cannot exceed the cylinder length. Also see overlay detail at above right.

OPERATION - Choice of either 90° or 180° cam turn. Key removable in both locked and unlocked positions.

KEYING - Will key together with all other disc tumbler locks using D8785 key blank. See table for available keying. Master keying to E41A using D8783 key blank.

PACKAGING - Supplied with two keys, trim washer, spur washer (for wood), mounting nut, two cams and two stop washers. If flat washer (for metal) is needed, order C2015-2C separately. See pg. 22.

APPLICATION - For doors and drawers. Surface mounted. Requires 3/4" diameter hole for cylinder

OPERATION - Choice of either 90° or 180° cam turn. Key removable in both locked and unlocked positions.

KEYING - Will key together with all other disc tumbler locks using D8785 key blank. See table for available keying. Master keying to E41A using D8783 key blank.

PACKAGING - Supplied with two keys, two mounting screws, two formed cams and two stop washers. Assembled for 90° cam turn.

Part No.	Type of Mounting	Cylinder Length	Maximum Material Thickness	KA* Codes	Key Changes		Case Quantity	Reference Number	Non MK
					KD	MKGD			Key Blank
C8060-14A	Lipped/Overlay or Flush	1-3/4"	1-7/16"	10	200	200	25	M4-8060	D8785
C8060-3		1-3/4"	1-7/16"	6	200	200	25	M4-8060	D8785
C8060-4G		1-3/4"	1-7/16"	6	200	200	25	M4-8060	D8785
C8073-14A		1-3/16"	7/8"	10	200	200	25	M4-8073	D8785
C8073-3		1-3/16"	7/8"	6	200	200	25	M4-8073	D8785
C8073-4G		1-3/16"	7/8"	6	200	200	25	M4-8073	D8785
C8075-14A		1-7/16"	1-1/8"	6	200	200	25	M4-8075	D8785
C8075-3		1-7/16"	1-1/8"	6	200	200	25	M4-8075	D8785
C8075-4G		1-7/16"	1-1/8"	6	200	200	25	M4-8075	D8785
**C8080-14A		7/8"	7/8"	6	200	200	25	M4-8080	D8785
**C8080-3		7/8"	7/8"	6	200	200	25	M4-8080	D8785
**C8080-4G		7/8"	7/8"	6	200	200	25	M4-8080	D8785

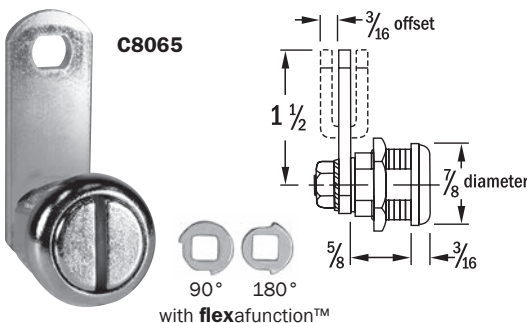
All locks feature **flexafunction™**
 Stop washers provide for either 180° or 90° cam turn.

* Key Codes used: 6 Codes - C346A, C390A, C413A, C415A, C420A and C642A.

* Key Codes used: 10 Codes - C205A, C267A, C346A, C361A, C390A, C413A, C415A, C420A, C441A and C642A.

** Not available with FlexaCam™

screwdriver cam latch

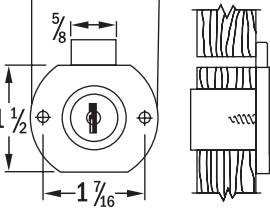
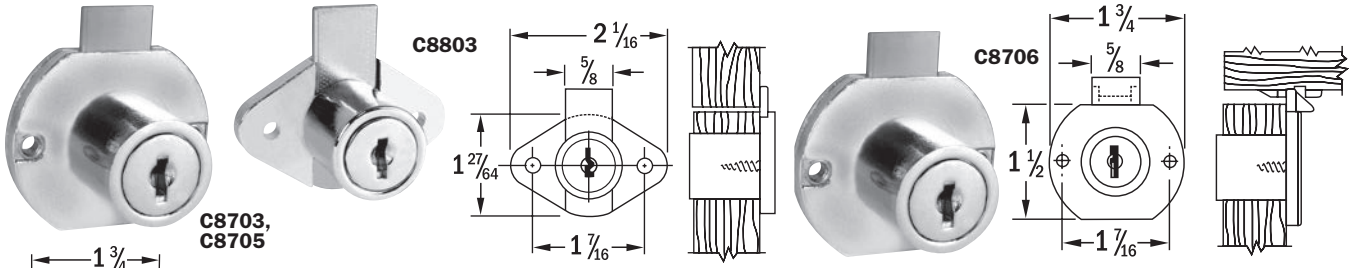


APPLICATION - For drawers or doors that do not require a key for locking.
OPERATION - flexafunction™ feature provides choice of 90° or 180° cam turn. Cams are double punched for flexibility in mounting latch.
PACKAGING - Supplied with two cams, two stop washers, spur washer and mounting nut.

Part No.	Type of Mounting	Cylinder Length	Maximum Material Thickness	Case Quantity	Reference Number
* C8065-14A	Lipped, Overlay or Flush	5/8"	1/4"	25	M6-4540

* Not available with FlexaCam™

disc tumbler door & drawer locks

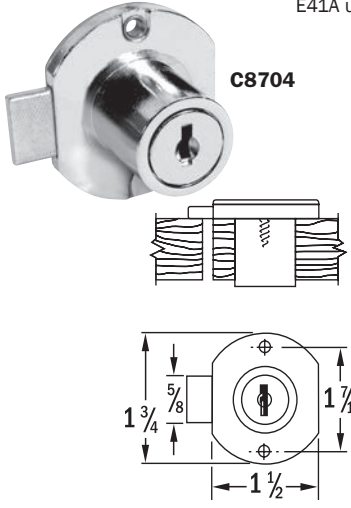
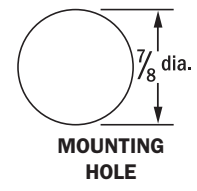


APPLICATION - For drawers and doors. Surface mounted. Requires 7/8" diameter hole for cylinder.

OPERATION - Key removable in both locked and unlocked positions except C8706.

KEYING - Will key together with all other disc tumbler locks using D8785 key blank. See table for available keying. Master keying to E41A using D8783 key blank.

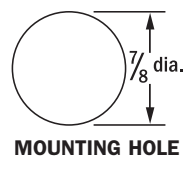
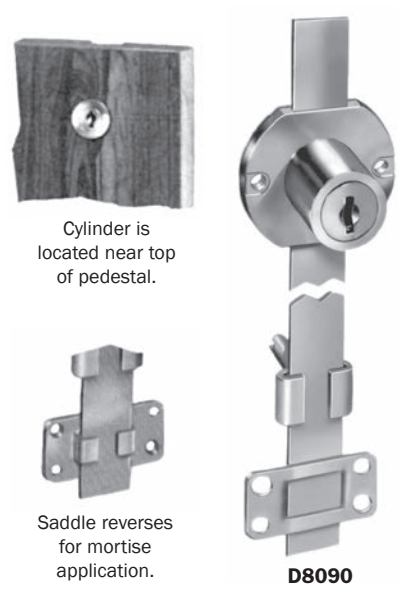
PACKAGING - Supplied with two keys and mounting screws. C8706 furnished with strike. If trim ring is required, order C2017 separately. See page 22.



Part No.	Installation	Bolt Type	Cylinder Length	Bolt Travel	KA* Codes	Key Changes		Case Quantity	Reference Number	Non MK Key Blank
						KD	MKKD			
C8703-14A	Drawer	Dead	15/16"	11/32"	6	200	200	25	M4-6707-170	D8785
C8703-3	Drawer	Dead	15/16"	11/32"	6	200	200	25	M4-6707-170	D8785
C8703-4G	Drawer	Dead	15/16"	11/32"	6	200	200	25	M4-6707-170	D8785
C8704-14A	Door	Dead	15/16"	11/32"	6	200	200	25	M4-6707-172	D8785
C8704-3	Door	Dead	15/16"	11/32"	6	200	200	25	M4-6707-172	D8785
C8704-4G	Door	Dead	15/16"	11/32"	6	200	200	25	M4-6707-172	D8785
C8705-14A	Drawer	Dead	1-3/16"	11/32"	3	200	200	25	M4-6707-171	D8785
C8705-3	Drawer	Dead	1-3/16"	11/32"	3	200	200	25	M4-6707-171	D8785
C8705-4G	Drawer	Dead	1-3/16"	11/32"	3	200	-	25	M4-6707-171	D8785
C8706-3	Drawer	Spring	15/16"	9/32"	3	200	-	25	M4-6708-170	D8785
C8803-14A	Drawer	Dead	15/16"	11/32"	6	200	200	25	M4-8803-001	D8785
C8803-3	Drawer	Dead	15/16"	11/32"	6	200	200	25	M4-8803-001	D8785
C8803-4G	Drawer	Dead	15/16"	11/32"	6	200	200	25	M4-8803-001	D8785

*Key Codes used: 3 Codes - C346A, C413A and C415A.
6 Codes - C346A, C390A, C413A, C415A, C420A and C642A.

disc tumbler gang lock



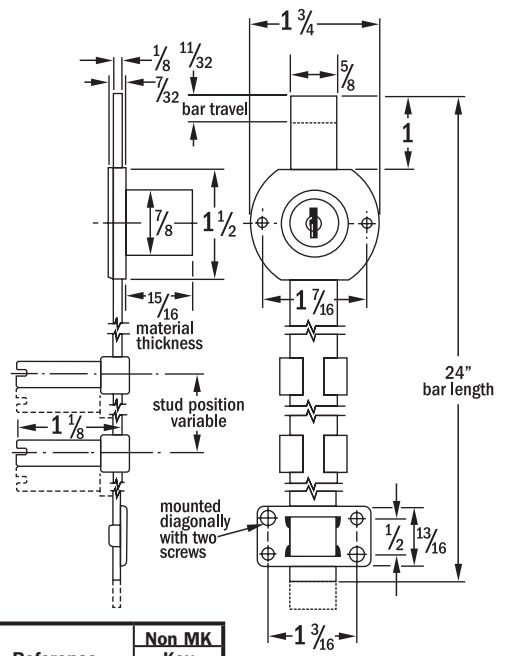
Additional 7/8" x 1/8" deep dado for bar required on inside of panel.

APPLICATION - For locking drawers in desk pedestals and other multiple drawer applications. Requires 7/8" diameter hole for cylinder and dado for bar, measuring 7/8" x 1/8" deep on inside of panel.

OPERATION - Key removable in both locked and unlocked positions. Turning the key locks all drawers simultaneously (drawers must be in closed position). Bar moves studs into notch in drawer or slide, thus preventing drawer movement.

KEYING - Will key together with all other disc tumbler locks using D8785 key blank. See table for available keying. Master keying to E41A using D8783 key blank.

PACKAGING - Supplied with two keys, three locking studs, three stud slides, saddle and mounting screws. If trim ring is required, order C2017 separately. See page 22.



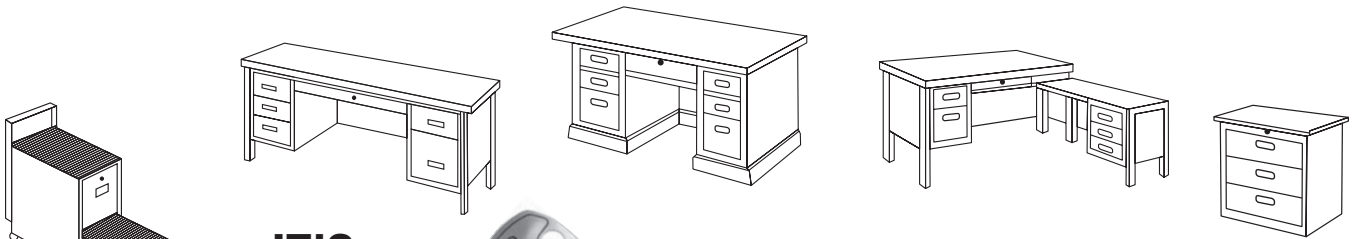
Part No.	Installation	Bar Operation	Cylinder Length	Bar Travel	KA* Codes	Key Changes		Case Quantity	Reference Number	Non MK Key Blank
						KD	MKKD			
D8090-14A	Desk Pedestals or Similar Multi-Drawer Conditions	Dead Locking	15/16"	11/32"	6	200	200	5	M4-6709-124	D8785
D8090-3			15/16"	11/32"	6	200	-	5	M4-6709-124	D8785
D8090-4G			15/16"	11/32"	6	200	-	5	M4-6709-124	D8785

*Key Codes used: 6 Codes - C346A, C390A, C413A, C415A, C420A and C642A.

disc tumbler furniture locks



Now an entire furniture locking system can be changed in a matter of minutes, not days, through flexible key control.



IT'S EASY!



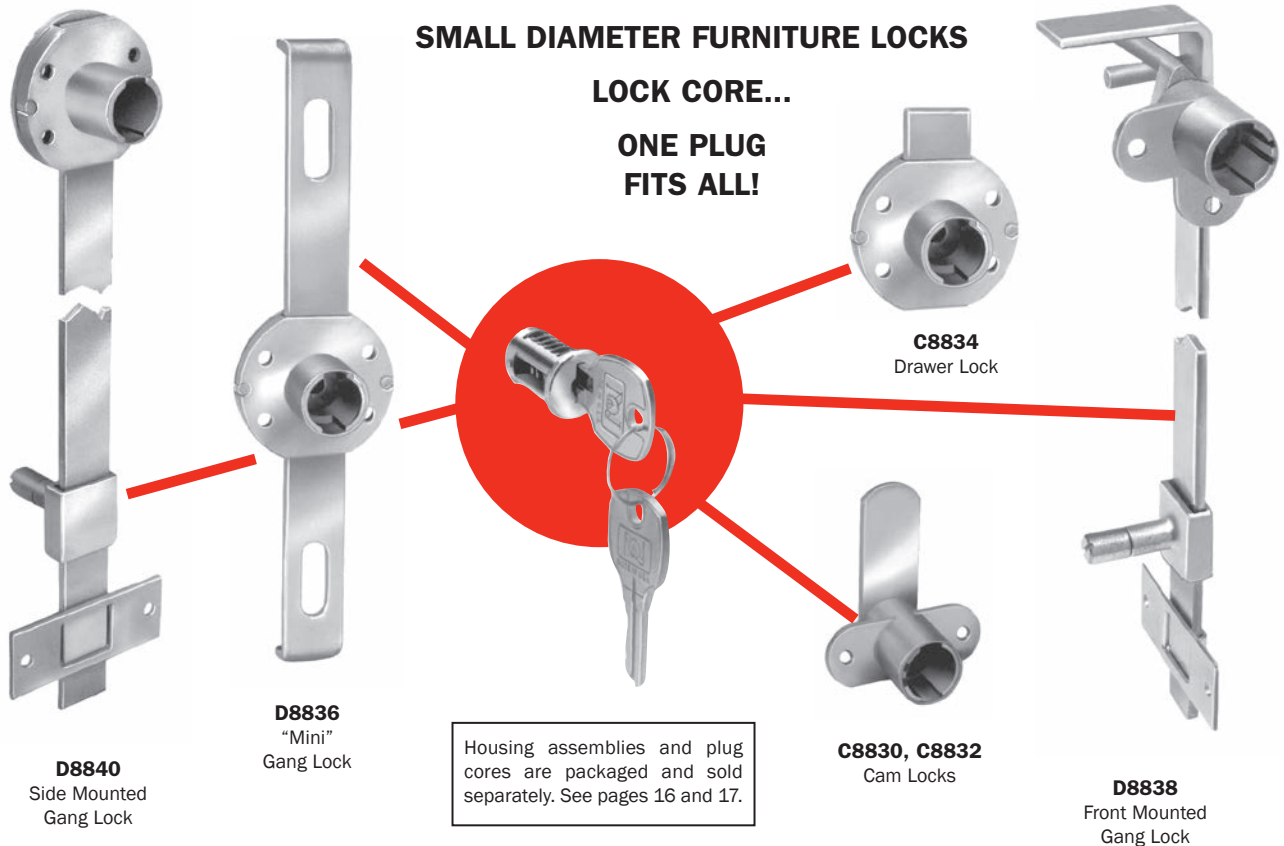
D8779
Control Key

The D8779 control key allows the user to remove and install replacement lock cores (C8850) easily. For a complete list of replacement cores, see bottom of page.

SMALL DIAMETER FURNITURE LOCKS

LOCK CORE...

ONE PLUG FITS ALL!



D8840
Side Mounted
Gang Lock

D8836
"Mini"
Gang Lock

C8834
Drawer Lock

C8830, C8832
Cam Locks

D8838
Front Mounted
Gang Lock

Housing assemblies and plug cores are packaged and sold separately. See pages 16 and 17.

plug core for furniture locks



C8850

Part No.	KA* Codes	KD Codes	Case Quantity	Key Blank
C8850-14A	20	200	25	D8783
C8850-3	20	200	25	D8783
C8850-19	20	200	25	D8783

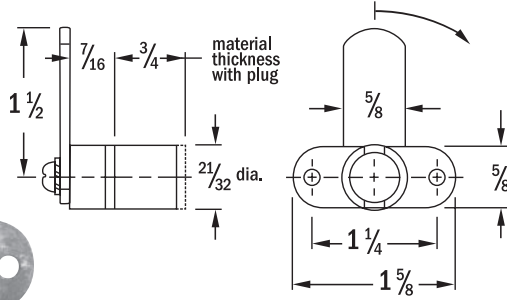
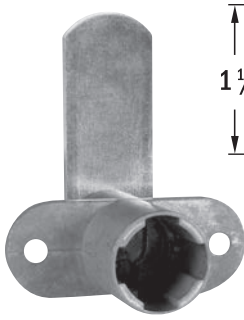
*Key Codes used: D003A, D054A, D071A, D084A, D091A, D177A, D233A, D256A, D284A, D313A, D346A, D362A, D390A, D413A, D415A, D420A, D435A, D512A, D554A and D642A.

APPLICATION - One Plug Fits All for RemovaCore locks on furniture applications.
OPERATION - In all RemovaCore applications, key is removable in both locked and unlocked positions. D8779 control key is needed to remove and install lock cores (sold separately).
KEYING - All Cores are Master keyed to E13A. Will key together with all other disc tumbler locks using D8783 key blank, except C8051 and C8052. See table for available keying. KA to 20 changes, including all six standard disc tumbler codes.
PACKAGING - Supplied with two keys.

THESE LOCKS ALL FEATURE

REMOVA CORE™

CAM LOCKS

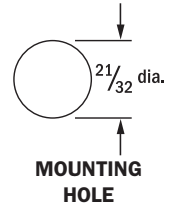


APPLICATION - For wood pedestals, door or drawer, R.H. or L.H. Surface Mounted. For flipper door use C7015 offset cam and C2003 strike. See pages 17 and 22.

OPERATION - Choice of 90° or 180° cam rotation, CCW to lock.

KEYING* - Order core plug separately, C8850, see pg. 15.

PACKAGING - Housing assembly supplied with two mounting screws and straight cam. Housings are unplated.



C8830 (90°) Cam Lock
C8832 (180°) Cam Lock (shown)

Can also be used with pin cams.
See page 17.

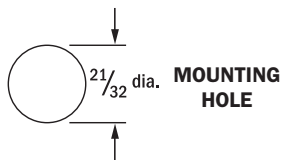
Use **C8850***
Core



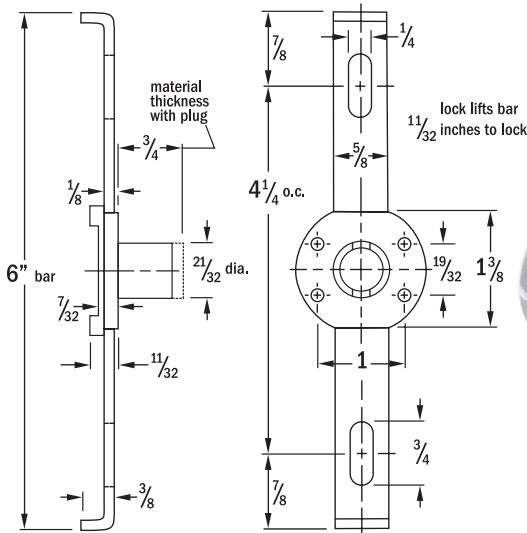
Part No.	Description	Type of Installation	Cam Rotation	Lock Cylinder Length	Maximum Material Thickness	Case Quantity
C8830	Housing Assembly	Pedestal	90°	3/4"	3/4"	25
C8832	Housing Assembly	Pedestal	180°	3/4"	3/4"	25

* See page 15 for keying options.

SIDE MOUNTED TWO DRAWER "MINI" GANG LOCK



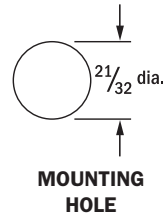
D8836 "Mini" Gang Lock



Use **C8850***
Core

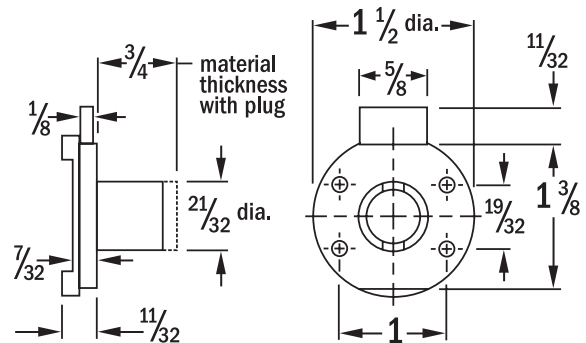


DRAWER LOCK



C8834
Drawer Lock

Use **C8850**
Core



APPLICATION - Two drawer "Mini Gang" lock for desk or pedestals, and single locking drawer for desk or pedestals. Surface Mounted.

OPERATION - Key turn on the D8836 moves the 6" bar from above or below the plastic stops, which are mounted on drawer sides, thus preventing drawer movement. C8834 has a 11/32" bolt throw.

KEYING* - Order core plug separately, C8850, see page 15.

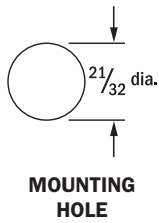
PACKAGING - Housing assemblies supplied with four mounting screws and bolt. D8836 comes with two plastic stops and mounting screws. Housings are unplated.

Part No.	Description	Type of Installation	Bar/Bolt Operation	Lock Cylinder Length	Bar/Bolt Travel	Case Quantity
D8834	Housing Assembly	Single Drawer	Dead	3/4"	11/32"	25
D8836	Housing Assembly	Desk Pedestals on two drawer applications	Dead Locking	3/4"	11/32"	10

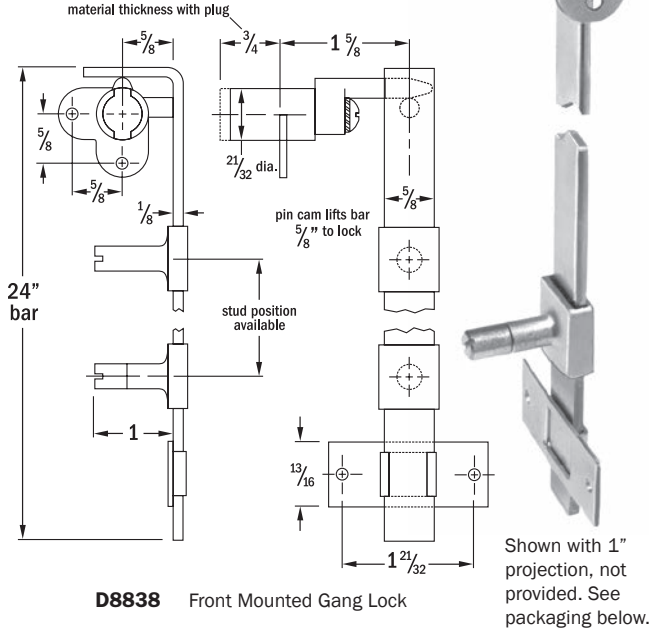
* See page 15 for keying options.

disc tumbler furniture locks

GANG LOCKS WITH



Additional 7/8" x 3/16" dado for bar required on inside of side panel.



APPLICATION – For locking drawers in desk pedestals and other multiple drawer applications. Lock mounts in right corner. Can also be mounted for left corner application. Surface mounted. Requires 21/32" diameter hole for cylinder, and when required, a dado for bar, measuring 7/8" x 3/16" deep in inside of panel.

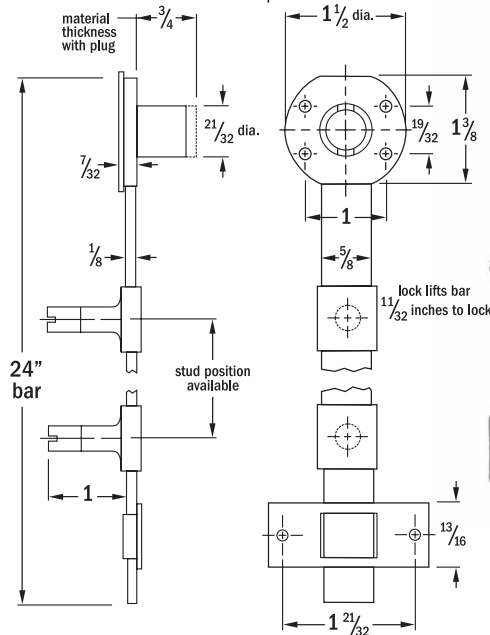
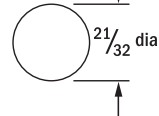
OPERATION – Turning the key locks all drawers simultaneously (drawers must be in closed position). Bar moves studs from above or below the plastic stops, which are mounted on drawer sides, thus preventing drawer movement.

KEYING – Order core plug separately, C8850, see page 15.

PACKAGING – Housing assembly supplied with three set screws for 1/2" projection, three slides, saddle, three plastic stops, and mounting screws. If 1" projection is required, order locking studs separately.

Both Locks Use **C8850** Core

MOUNTING HOLE



APPLICATION – For locking drawers in desk pedestals and other multiple drawer applications. Lock mounts on inside of unit. Surface mounted. Requires 21/32" diameter hole for cylinder.

OPERATION – Turning the key locks all drawers simultaneously (drawers must be in closed position). Bar moves studs from above or below the plastic stops, which are mounted on drawer sides, thus preventing drawer movement.

KEYING – Order core plug separately, C8850, see page 15.

PACKAGING – Housing assembly supplied with three set screws for 1/2" projection, three slides, saddle, three plastic stops, and mounting screws. If 1" projection is required, order locking studs separately.

Part No.	Description	Type of Installation	Bar Operation	Lock Cylinder Length	Bar Travel	Case Quantity
D8838	Housing Assembly	Desk Pedestal & Multi-Drawer applications	Dead Locking	3/4"	5/8"	5
D8840	Housing Assembly		Dead Locking	3/4"	11/32"	5

accessories

Part No.	Description	Dimensions	Material	Bag Quantity
C2018-19	Trim Ring	21/32" diameter	Plastic	25
C7015-2C	5/16" Offset Cam	1-1/16 to hook	Steel	25
C7020-2C	Pin Cam	1"	Die Cast	25
C7021-2C*	Pin Cam	1-1/2"	Die Cast	25
C7022-2C*	Pin Cam	1-7/8"	Die Cast	25

Fits 17mm Hole



C2018



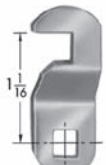
C7020



C7021*



C7022*



C7015

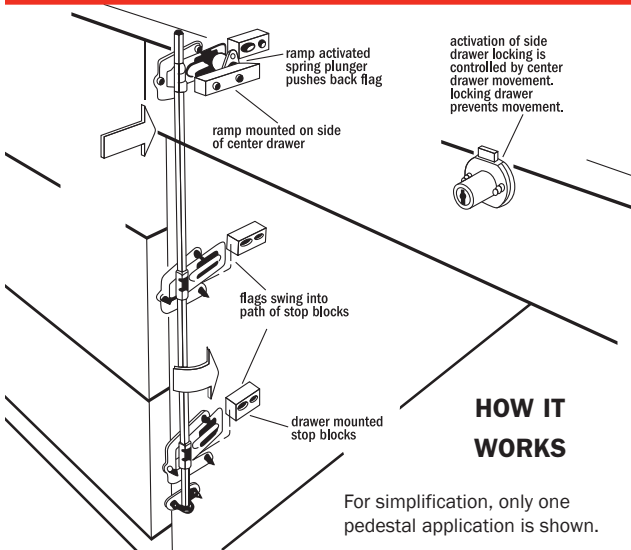
Note: Order by number of pieces, not by bag. Full bags only.

Orders must be in multiples of 25 pieces.

* Will not work with D8838.

disc tumbler central locking systems

For convenience, we have gathered together in one package all components, fasteners and installation guidelines to provide security for three typical wood office furniture applications.



HOW IT WORKS

For simplification, only one pedestal application is shown.

CENTER DRAWER LOCKING

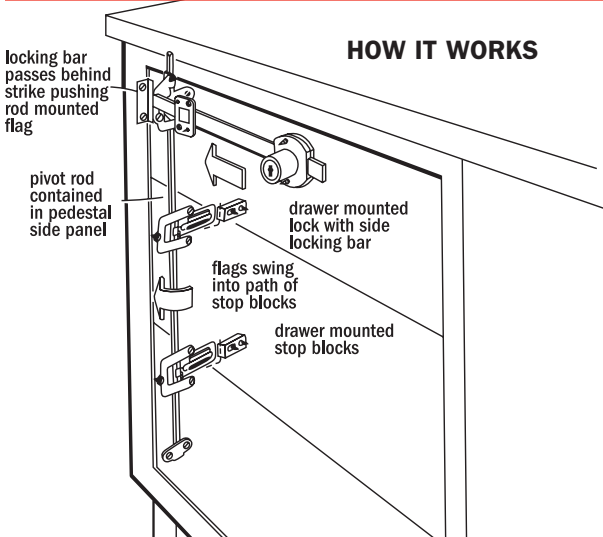
APPLICATION - For installing in wood desks with center drawer and up to six side drawers, three per pedestal. Drawer lock is installed in center drawer.

OPERATION - Movement of the center drawer operates the system. When center drawer is closed, the closing motion is transferred to the pedestals via mounted ramps. Flags are pivoted into the path of side drawer mounted stops preventing opening of side drawers.

KEYING - Will key together with all other disc tumbler locks using D8785 key blank. See table for available keying. Master keying to E41A using D8783 key blank.

PACKAGING - Supplied with two keys and all components shown and necessary mounting screws. See installation sheet for complete parts listing.

Part No.	Bolt Type	Cylinder Length	Bolt Throw	KA* Codes	KD Changes	Case Quantity	Non MK Key Blank
D8950-3	Dead	15/16"	11/32"	1	100	5	D8785
D8950-4G	Dead	15/16"	11/32"	1	100	5	D8785



HOW IT WORKS

PEDESTAL LOCKING

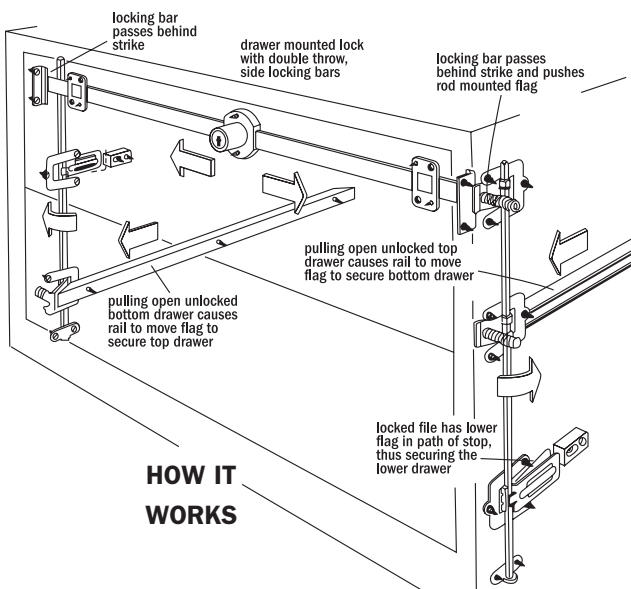
APPLICATION - For multiple drawer locking of wood desk pedestal only or mobile pedestal unit. Bar lock is installed in top drawer. For inside case width up to 15-1/2".

OPERATION - Locking the top drawer rotates rod with attached flags which pivot into path of drawer mounted stops preventing opening of lower drawers.

KEYING - Will key together with all other disc tumbler locks using D8785 key blank. See table for available keying. Master keying to E41A using D8783 key blank.

PACKAGING - Supplied with two keys and all components shown and necessary mounting screws. See installation sheet for complete parts listing.

Part No.	Bar Operation	Cylinder Length	Bolt Throw	KA* Codes	KD Changes	Case Quantity	Non MK Key Blank
D8951-3	Reversible	15/16"	11/32"	1	100	5	D8785
D8951-4G	Reversible	15/16"	11/32"	1	100	5	D8785



HOW IT WORKS

LATERAL FILE LOCKING

APPLICATION - For wood constructed two drawer lateral files with inside case width up to 42". Double throw bar is installed in top drawer.

OPERATION - Lateral files require "anti-tilt" performance of the hardware for safe operation. This permits only one drawer at a time to be opened. Opening a drawer results in a side mounted rail rotating the adjacent rod. Attached flag swings into path of stop mounted on other drawer preventing its opening. Locking the top drawer produces the same "lock-up" described above.

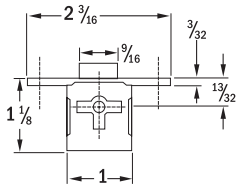
KEYING - Will key together with all other disc tumbler locks using D8785 key blank. See table for available keying. Master keying to E41A using D8783 key blank.

PACKAGING - Supplied with two keys and all components shown and necessary mounting screws. See installation sheet for complete parts listing.

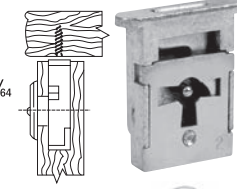
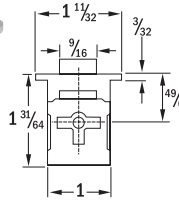
Part No.	Bar Operation	Cylinder Length	Bolt Throw	KA* Codes	KD Changes	Case Quantity	Non MK Key Blank
D-8952-3	Double throw	15/16"	11/32"	1	100	5	D8785
D8952-4G	Double throw	15/16"	11/32"	1	100	5	D8785

*Key Codes used: 1 Code - C415A.

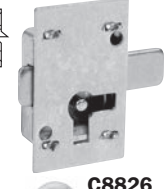
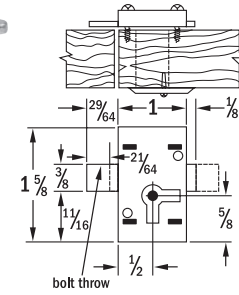
furniture locks



C8252, C8253



C8207



C8826

APPLICATION - This group of locks is used primarily on furniture and other fine cabinetry. C8826 is surface mounted and requires hole for key entry, all other locks require full 11/32" x depth of lock. Additional mortising, required for lock selvedge plus hole for key entry.

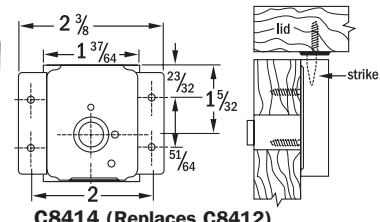
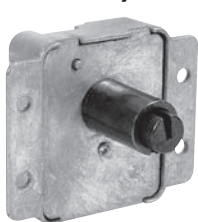
OPERATION - Key removable in both locked and unlocked positions.

KEYING - Each lock furnished keyed alike.

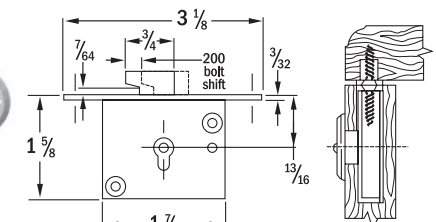
PACKAGING - Supplied with one key. All locks except C8826 are supplied with strikes. Key hole escutcheons are packed with C8207 and C8826.

Part No.	Installation	Bolt Type	Bolt Travel	Case Quantity	Reference Number	Key Blank
C8207-3	R. H. Door, Drawer, Full Mortise	Dead	3/16"	25	N0-0274-001	D8890
C8252-3	L.H. Door, Full Mortise	Dead	3/16"	25	N0-0252-001	D8890
C8253-3	Door/Drawer, Surface Mounted	Dead	21/64"	25	N0-0826-001	D8890

chest/lid locks



C8414 (Replaces C8412)



C8384

APPLICATION - Lid locks for cedar chest application and other lid locking requirements. C8414 is surface mounted and requires a 9/16" diameter hole for cylinder. C8384 requires 11/32" wide x depth of lock full mortise plus mortise for selvedge plus hole for key entry.

OPERATION - Key removable in both locked and unlocked positions. C8414 has a safety feature requiring operation of pushbutton to lock or latch lid closed.

KEYING - Each lock furnished keyed alike.

PACKAGING - Supplied w/one key. Appropriate strikes & mounting screws supplied w/locks w/additional keyhole escutcheon furnished w/C8384.

Part No.	Installations	Bolt Type	Cylinder Length	Bolt Travel	Case Quantity	Reference Number	Key Blank
C8384-3	Chest Lid, Full Mortise	Hook	-	5/16" .200" side shift	25	N0-0384-001	D8890
C8414-4G	Chest Lid, Surface Mounted	Internal, Engages Strike	7/8"	-	25	N0-8414-001	D8194

DUALAxess[®] by compX - keyless combination cam lock



Access the lock by combination or with a twist of the key.

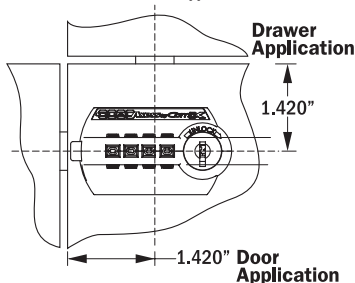
- Replaces any standard cam lock to get instant keyless access
- 10,000 possible code combinations
- Retrofits into existing 3/4" wood or metal mounting holes - no need for drilling or modification
- Small profile fits most doors & drawers
- Combinations secure - code can only be changed with the proper key and correct combination
- Heavy duty die cast construction
- 100% mechanical - no batteries needed

To see videos of DualAxess[®] in use, visit compX.com/dualaxess

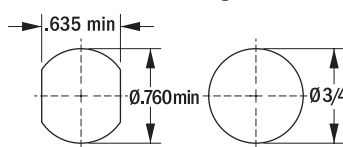
Part No.	Cylinder Length	Maximum Material Thickness	MKKA Codes*	MKKD Codes	Case Qty.	Key Blank	Plug Removal Key	Master Key
D8030	7/8"	5/8"	3	60	10	D8770	D8771	D8772
D8031	1 3/8"	1 1/8"	3	60	10	D8770	D8771	D8772

* Key Codes: DA108, DA120, DA124

Recommended Hole Location for Door or Drawer Applications

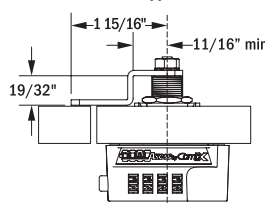


Recommended Mounting Hole Sizes

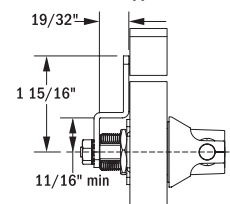


Note: Do not use spur washer with metal door or drawer.

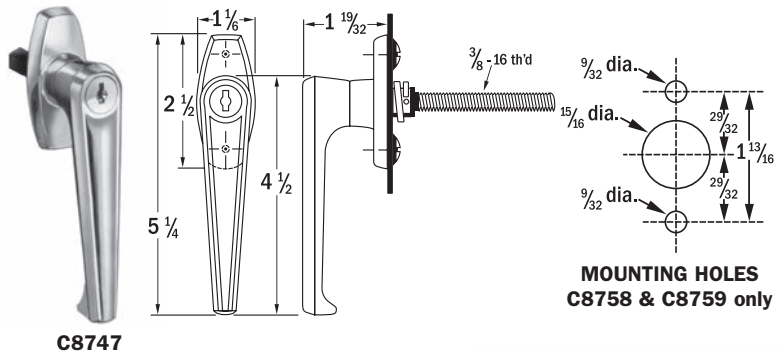
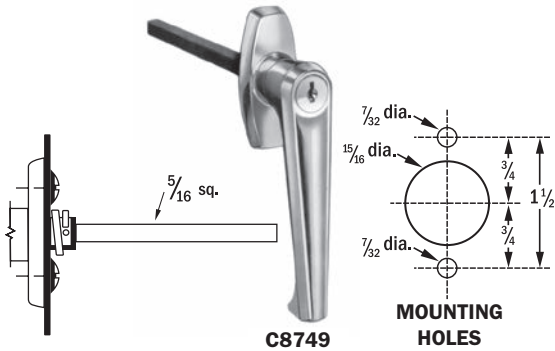
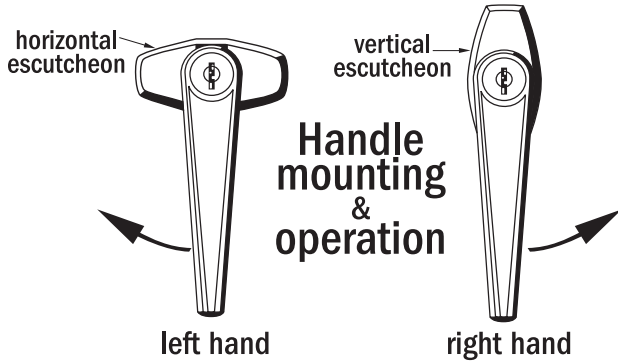
Flush door application



Flush drawer application



disc tumbler handle locks



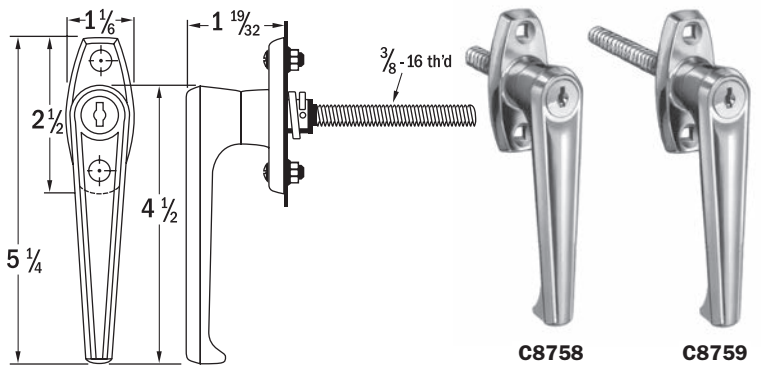
MOUNTING HOLES
C8758 & C8759 only

APPLICATION - For doors on metal lockers and cabinets. For R.H. doors, install with escutcheon vertical. For L.H. doors, install with escutcheon horizontal. See above drawings. Choice of spindle lengths and mounting. Spindles accept both C8756 latch plate and C8757 tongue except C8747 which has 8-32 tapped end hole and C8749 which will accept only the C8757 tongue. Spindles can be cut to fit special requirements.

OPERATION - Key removable in both locked and unlocked positions.

KEYING - Will key together with all other disc tumbler locks using D8785 key blank. See table for available keying.

PACKAGING - Supplied with two keys (except C8755) and mounting hardware.

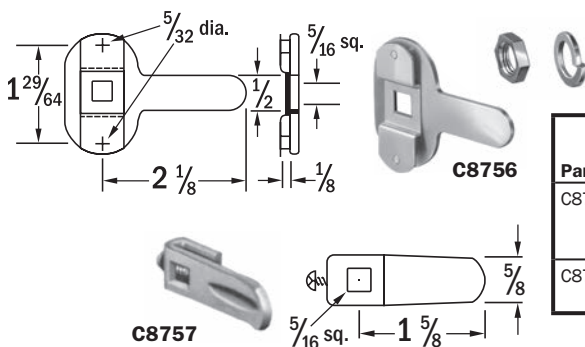


Part No.	Type of Mounting	Spindle Length	Direction of Turn to Open	KA* Codes	Key Changes KD	Case Quantity	Reference Number	Non MK Key Blank
C8747-26D	Rear	1" **	90° c/cw	1	200	10	M4-0428-420	D8785
C8749-26D	Rear	4" †	90° c/cw	1	200	10	M4-0428-293	D8785
C8751-26D	Rear	1"	90° c/cw	3	200	10	M4-0428-620	D8785
C8754-26D	Rear	3"	90° c/cw	3	200	10	M4-0428-684	D8785
C8755-26D††	Through the Escutcheon	3"	90° c/cw	—	—	10	M6-0429-684	—
C8758-26D		1"	90° c/cw	3	200	10	M4-0294-620	D8785
C8759-26D		3"	90° c/cw	3	200	10	M4-0294-684	D8785

*Key Codes used: 1 Code - C415A.
3 Codes - C413A, C415A and C420A.

**5/16" sq. spindle w/ 8-32 tapped end hole.

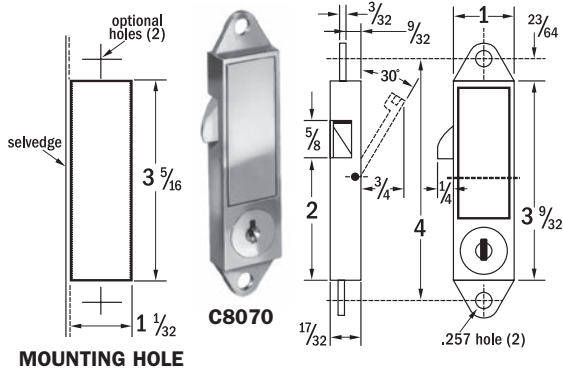
†5/16" sq. spindle
††Non-Locking Handle.



LATCH PLATE & TONGUE FOR ABOVE HANDLE LOCKS

Part No.	Description	Method of Attachment to Spindle	Case Quantity	Reference Number
C8756-2C	3 Point Latch Plate with Tongue, Used with Locking Bars	Hex Nuts with Lock Washers Threaded on Spindle	25	M3-6931-001
C8757-2C	Single Point Latch Tongue	Side Mounted Set Screw	25	H2-0082-003

disc tumbler circuit breaker cabinet locks

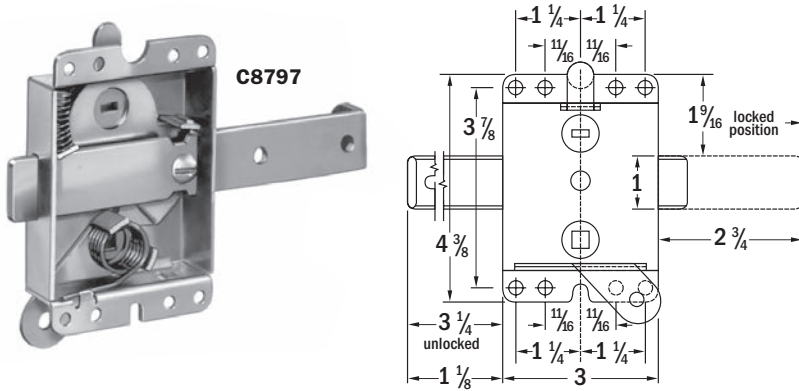


APPLICATION – For right handed metal doors of electrical circuit breaker cabinets.
OPERATION – Key removable in both locked and unlocked positions. Push plate operates spring bolt. Unlocked, push plate acts as spring latch.
KEYING – Supplied keyed alike only to B135A.
PACKAGING – Supplied with two keys; no mounting hardware.

Part No.	Type of Mounting	Bolt Type	Bolt Travel	Case Quantity	Reference Number	Key Blank
C8070-2C*	R.H. Door	Spring Pivot	7/32"	10	M4-0226-001	D8786

*Aluminum Enamel Finish.

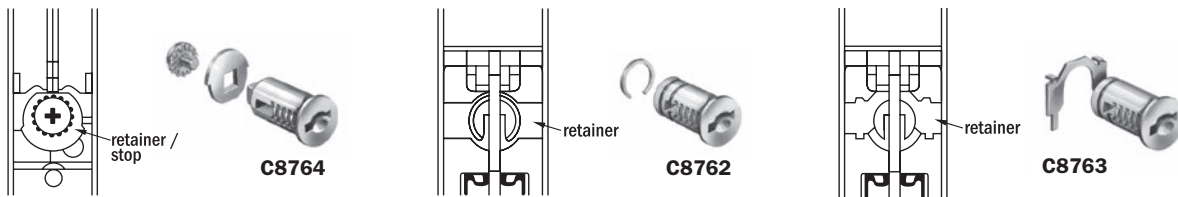
garage door locking mechanism



APPLICATION – For mounting on sectional over head doors. Factory assembled for R.H. mounting. Mechanism installs at right side of door (inside garage) to lock into track. Handle can replace Overhead Door locking handles. Mechanism can be reversed for L.H. application.
PACKAGING – Furnished with mounting screws.

Part No.	Installation	Operation	Key Changes	Case Quantity	Reference Number	Key Blank
C8797-2C	Inside door near track	Sliding bolt locks into track	—	5	M6-0492-001	—

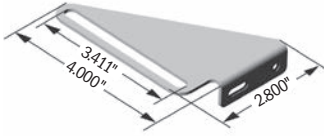
cooler locking handle replacement plugs



APPLICATION – C8762 and C8763 replacement plugs are for earlier models of C8765 locking handles (National Lock 59-1105 series of handles).
OPERATION – Key removable in both locked and unlocked positions.
KEYING – Keyed alike to XC-3.
PACKAGING – C8762 and C8763 plugs supplied with two keys and specific retainer. C8764 plug supplied with two keys, retainer/stop and screw.

Part No.	Installation	Bolt Type	Case Quantity	Key Blank
C8764-26	Current C8765 Handles	—	25	D8780
C8763-26	N.L. 59-1105 Handles	—	25	D8780
C8762-26	Early Models, N.L. 59-1105 Handles	—	25	D8780

double drawer strike



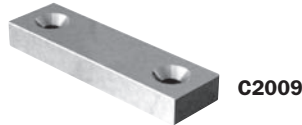
Part No.	Description	Qty. per bag
C500SP	Designed to lock file and box drawers when no other locking points are available.	25

strikes, escutcheon, flat washer

Our most popular strikes are offered in two finishes. They are furnished with screws finished to match the strike.



C2001



C2009



C2002



C2015



C2003

Flat washer used to convert 3/4" diameter holes in steel fronts to a double "D" hole for installing cam locks. Spot weld to backside of hole.



C2004



C2016



C2005



C2006

Mounting plate for cylinder cam locks, screw mounted. Used where spur washer will not embed into hard surface. Packed 25 pcs. per bag.



C2007



C2017



C2008 Ornamental escutcheon for furniture. Supplied with mounting pins.

7/8" diameter trim ring to be used to cover ragged edges around bored mounting holes.

Part No.	Description	Overall Dimensions	Quantity Per Bag
C2001-14A	Formed strike, no bolt hole	1-3/4" x 1/2" with 3/16" form	25
C2001-3			25
C2002-14A	Formed strike, no bolt hole countersunk holes reversed	1-3/4" x 1/2" with 3/16" form	25
C2002-3			25
C2003-14A	Flat strike with rounded ends, 3/4" x 7/32" bolt hole	1-15/16" x 3/8"	25
C2003-3			25
C2004-14A	Flat strike with square ends, 7/8" x 17/64" bolt hole	2-5/32" x 1/2"	25
C2004-3			25
C2005-14A	Flat strike, no bolt hole	1-15/16" x 3/8"	25
C2005-3			25
C2006-14A	Flat strike with sq. ends and 15/16" x 1/4" tongue, 15/16" x 1/4" hole	2" x 3/4"	25
C2006-3			25
C2007-14A	Flat strike with rounded ends, 1-1/16" x 17/64" bolt hole	2-5/32" x 1/2"	25
C2007-3			25
C2008-3	Key hole escutcheon	1" Diameter	50
C2009-14A	Die-cast strike with countersunk holes	1-3/4" x 1/2"	25
C2015-2C	Flat washer for cam locks	1-1/8" Diameter	25
C2016-2C	Mounting plate for cam locks. Screw mounted, use No. 8 screws, not furnished.	2-3/16" x 1-1/4"	25
C2017-14A	Trim ring for all locks with a 7/8" mounting hole.	7/8" Diameter	25
C2017-26D			25
C2017-3			25
C2017-4			25
C2017-4G			25

Note: Order by number of pieces, not by bag. Full bags only. Orders must be in multiples of 25 or 50 pieces.

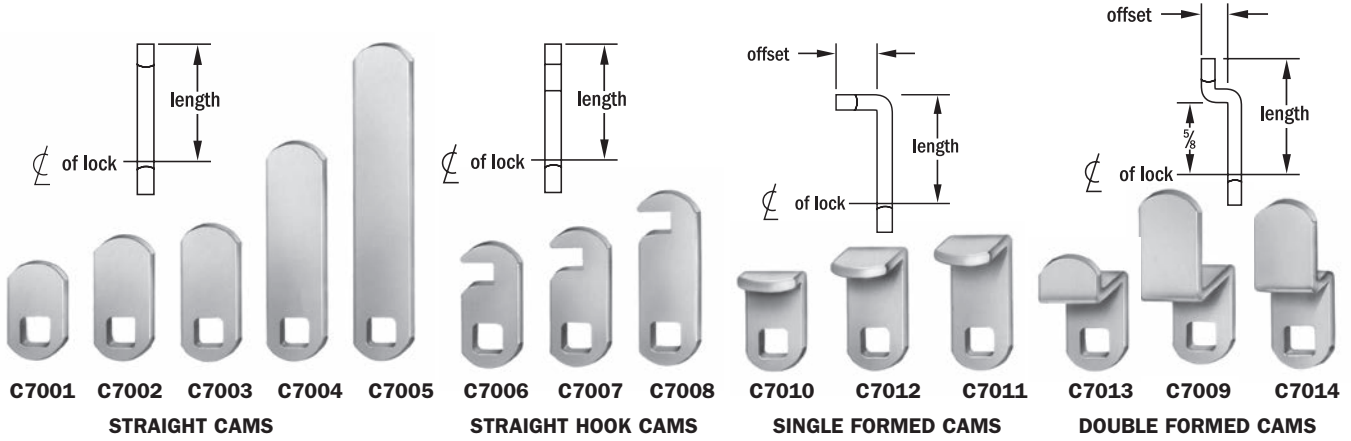
new! heavy-duty cam for mailbox locks



C7120

Part No.	Description	Overall length	Offset	Cam Thickness	Qty. per bag
C7120	Heavy-duty cam designed for use exclusively with C9100 and C9200 postal locks. .317" mounting hole.	2-1/4"	1/4"	3/16"	5

disc tumbler cams



.284" mounting hole for all disc tumbler cams

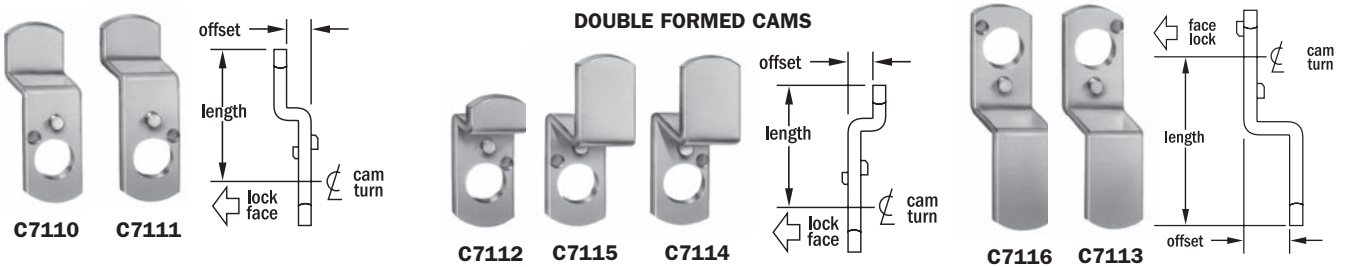
Selection of cams that permit adaption of disc tumbler cylinder cam locks to meet nearly every application need.

Straight Hook Cams and Double Formed Cams can be reversed when required.

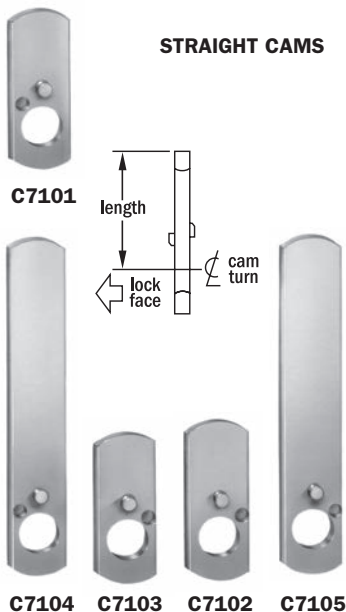
Part No.	Description	Length	Quantity Per Bag	Part No.	Description	Length	Offset	Quantity Per Bag
C7001-2C	Straight Cam	3/4"	25	C7008-2C	Straight Hook Cam	1-1/2"	—	25
C7002-2C	Straight Cam	1"	25	C7009-2C	Double Formed Cam	1-3/4"	1/2"	25
C7003-2C	Straight Cam	1-1/8"	25	C7010-2C	Single Formed Cam	5/8"	7/32"	25
C7004-2C	Straight Cam	2"	25	C7011-2C	Single Formed Cam	1-1/8"	7/16"	25
C7005-2C	Straight Cam	3"	25	C7012-2C	Single Formed Cam	1"	7/16"	25
C7006-2C	Straight Hook Cam	1"	25	C7013-2C	Double Formed Cam	1-1/8"	3/8"	25
C7007-2C	Straight Hook Cam	1-1/8"	25	C7014-2C	Double Formed Cam*	1-5/8"	5/16"	25

*For overlay construction using 3/4" thick front and 3/4" thick frame material. Use with C8053 disc tumbler lock.

pin tumbler cams



Cams for pin tumbler cylinder cam locks. All cams have dual function. See "Applications" column in table for details.



Applications: solid lines show locked position of cam	Position of shifter on back of lock	Part Number	Description	Length	Offset	Quantity Per Bag
		C7101-2C	Straight Cam	1-1/4"	—	20
		C7104-2C	Straight Cam	3"	—	20
		C7110-2C	Double Formed Cam	1-1/4"	9/32"	20
		C7115-2C	Double Formed Cam*	1-5/8"	7/16"	20
		C7102-2C	Straight Cam	1-1/4"	—	20
		C7103-2C	Straight Cam	1-1/8"	—	20
		C7105-2C	Straight Cam	3"	—	20
		C7111-2C	Double Formed Cam	1-1/4"	9/32"	20
		C7112-2C	Double Formed Cam	1-1/8"	1/4"	20
		C7114-2C	Double Formed Cam*	1-5/8"	7/16"	20
		C7113-2C	Double Formed Cam*	1-5/8"	7/16"	20
		C7116-2C	Double Formed Cam*	1-5/8"	7/16"	20

*For overlay construction using 3/4" thick front and 3/4" thick frame material. Use with C8102 pin tumbler locks.

Note: Order by number of pieces, not by bag. Full bags only. Orders must be in multiples of 25 or 20 pieces.

original pin tumbler key blanks

IDENTIFYING KEY BLANKS

Blanks are listed with related actual size cross section.



Sight down the end of the blank to identify the cross section or profile.

PIN TUMBLER BLANKS

- 3 Pin Tumbler
D4290
- 4 Pin Tumbler
D4291
- 5 Pin Tumbler
D4292
- 5 Pin Tumbler
D4293

4 PIN TUMBLER BLANKS



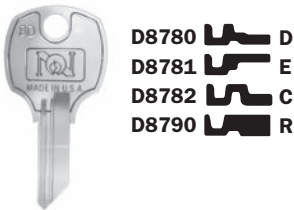
5 PIN TUMBLER BLANK



Part No.	Description	Material	Carton Quantity	Reference Number
D4290	3 Pin Tumbler	Brass	50	M3-0679-111
D4291	4 Pin Tumbler	Brass	50	M3-0558-111
D4292	5 Pin Tumbler	Brass	50	M3-0676-111
D4293	5 Pin Tumbler	Brass	50	M3-0676-211
D4295	5 Pin Tumbler	Brass	50	M3-0600-111
D4296	4 Pin Tumbler (short)	Brass	50	M3-5655-111
D4297	4 Pin Tumbler (long)	Brass	50	M3-5450-212

original disc tumbler key blanks

4 DISC TUMBLER BLANKS



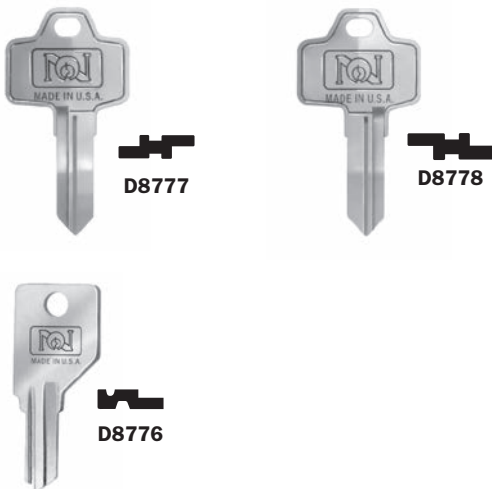
5 DISC TUMBLER BLANKS



6 DISC TUMBLER BLANKS



5 or 6 DISC TUMBLER REVERSIBLE KEY BLANKS



Part No.	Description	Material	Carton Quantity	Reference Number
D8776	5 Disc Tumbler Pass Key	Brass	50	P5-6613-301
D8777	5 or 6 Disc Tumbler Pass Key	Brass	50	M5-0650-111
D8778	5 or 6 Disc Tumbler Pass Key	Brass	50	M5-0650-906
D8780	4 Disc Tumbler Pass Key	Brass	50	M5-0682-111
D8781	4 Disc Tumbler Master Key	Brass	50	M5-0682-112
D8782	4 Disc Tumbler Pass Key	Brass	50	M5-0688-111
D8790	4 Disc Tumbler Pass Key	Brass	50	M5-0693-111
D8783	5 Disc Tumbler Pass Key	Brass	50	M5-0680-111
D8784	5 Disc Tumbler Master Key	Brass	50	M5-0680-112
D8785	5 Disc Tumbler Pass Key	Brass	50	M5-0687-111
D8786	5 Disc Tumbler Pass Key	Brass	50	M5-0691-111
D8787	6 Disc Tumbler Pass Key	Brass	50	M5-0694-117
D8788	6 Disc Tumbler Master Key	Brass	50	M5-0694-119
D8789	6 Disc Tumbler Pass Key	Brass	50	M5-0694-115
D8791	5 Disc Tumbler Pass Key	Brass	50	M5-0692-111
D8792	5 Disc Tumbler Pass Key	Brass	50	M5-0695-114
D8793	5 Disc Tumbler Pass Key	Brass	50	M5-0695-112
D8794	5 Disc Tumbler Master Key	Brass	50	M5-0695-113
D8795	6 Disc Tumbler Pass Key	Brass	50	M5-0694-113
D8796	6 Disc Tumbler Pass Key	Brass	50	M5-0694-112
D8798	6 Disc Tumbler Master Key	Brass	50	M5-0694-114

All Disc Tumbler Key Blanks, D8780 through D8798, are stamped with last two digits of part number to aid in identification. Example: D8788 is stamped "88".

original lever tumbler key blanks

FLAT LEVER TUMBLER BLANKS



PARACENTRIC LEVER TUMBLER BLANKS



Part No.	Description	Material	Carton Quantity	Reference Number
D8194	Lever Tumbler (cut) - Flat	Steel	50	N1-8414-105
D8192	Lever Tumbler Blank - Flat	Steel	50	N1-0651-101
D8193	Lever Tumbler Blank - Flat	Steel	50	N1-0656-113
D8491	Lever Tumbler Blank - Paracentric	Brass	50	N1-0640-119

original master keys



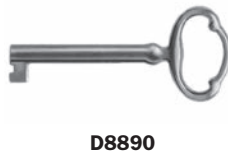
Part No.	Description	Material	Reference Number
D4299	Pin Tumbler GM1 Master key	Brass	M3-0686-399
D8419	Lever Tumbler 5LM Flat Master key	Steel	N1-0651-399
D8799	Disc Tumbler E41A Master key	Brass	M5-0680-399
D8999	Disc Tumbler E13A Master key	Brass	M5-0680-399

keys

FREEZER LOCK KEYS



WARDER BARREL KEY



Part No.	Description	Material	Carton Quantity	Reference Number
D8590	Freezer Lock Key Wrench - Cross Shape	Die Cast	50	N5-0811-001
D8591	Freezer Lock Key Wrench - Pentagon Shape	Die Cast	50	N5-0812-001
D8890	Warded Barrel Key	Die Cast	50	M5-0689-102

key code books

D8001 Pin Tumbler Key Codes — Includes the most popular National key codes: GM1 series, GM2 series, GM2A series, GM300 series, GM600 series and GM700 series.



D8002 Disc Tumbler and Lever Tumbler Key Codes — Includes the most popular National key codes: standard 4 tumbler series, standard 5 tumbler series, standard 6 tumbler series, 5 tumbler prefix RD series, 5 tumbler prefix GF series, 5 tumbler prefix SK and KS series, 6 tumbler prefix SK and KS series and 5 lever tumbler series 8LLT.

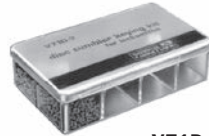
keying kits



V70P-1



V70P-2



V71D-3



V71D-4

V70P-1 Pin Tumbler Keying Kit – Includes:

- 100 Pcs. ea. 1, 2, 3 and 4 Drivers.
- 100 Pcs. ea. 0, 1, 2, 3, 4, 5, 6, 7, 8 and 9 Tumblers.
- 250 Pcs. Tumbler Springs
- 100 Pcs. Tumbler Retainers
- 50 Pcs. ea. C3735 and C3738 Plug Retainers.

V70P-2 Pin Tumbler Master Keying Kit – Includes:

- 100 Pcs. ea. 2, 3, 4, 5, 6, 7, 8 and 9 Master Drivers.

V71D-3 Disc Tumbler Keying Kit – Includes:

- 100 Pcs. ea. 00, 22, 44 and 66 Tumblers.
- 250 Pcs. Tumbler Springs.

V71D-4 Disc Tumbler Master Keying Kit – Includes:

- 100 Pcs. ea. 02, 04, 06, 20, 24, 26, 40, 42, 46, 60, 62 and 64 Tumblers.
- 250 Pcs. Tumbler Springs.

keying kit replacement parts



C3740-
C3747

C3730-
C3733

C3750-
C3759

C3734

C3735

C3736

C3737

C3738



D6676
D6686

**PIN TUMBLER
KEYING KIT
REPLACEMENT
PARTS**

**DISC TUMBLER
KEYING KIT
REPLACEMENT
PARTS**



C6782-
C6797



C6798



D6680
D6682

Part No.	Description	Identifying Color	Quantity Per Bag	Part No.	Description	Quantity Per Bag
C3730	#1 Driver	Blue	250	D6676	5 Pin Tumbler Depth Keys – Set of 10 Keys	1 Set
C3731	#2 Driver	Slate Gray	250	D6680	5 Disc Tumbler Depth Keys – Set of 4 Keys	1 Set
C3732	#3 Driver	Copper	250	D6682	4 Disc Tumbler Depth Keys – Set of 4 Keys	1 Set
C3733	#4 Driver	Violet	250	D6686	4 Pin Tumbler Depth Keys – Set of 10 Keys	1 Set
C3734	Plug Retainer	—	100	C6782	#00 Tumbler	250
C3735	Plug Retainer	—	100	C6783	#22 Tumbler	250
C3736	Tumbler Retainer	—	100	C6784	#44 Tumbler	250
C3737	Tumbler Spring	—	500	C6785	#66 Tumbler	250
C3738	Plug Retainer	—	100	C6786	#02 Tumbler	250
C3740	#2 Master Driver	Violet	250	C6787	#04 Tumbler	250
C3741	#3 Master Driver	Red	250	C6788	#06 Tumbler	250
C3742	#4 Master Driver	Blue	250	C6789	#20 Tumbler	250
C3743	#5 Master Driver	Fuchsia	250	C6790	#24 Tumbler	250
C3744	#6 Master Driver	Slate Gray	250	C6791	#26 Tumbler	250
C3745	#7 Master Driver	Brass	250	C6792	#40 Tumbler	250
C3746	#8 Master Driver	Copper	250	C6793	#42 Tumbler	250
C3747	#9 Master Driver	Brown	250	C6794	#46 Tumbler	250
C3750	#0 Tumbler	Silver	250	C6795	#60 Tumbler	250
C3751	#1 Tumbler	Black	250	C6796	#62 Tumbler	250
C3752	#2 Tumbler	Violet	250	C6797	#64 Tumbler	250
C3753	#3 Tumbler	Red	250	C6798	Tumbler Spring	500
C3754	#4 Tumbler	Blue	250			
C3755	#5 Tumbler	Fuchsia	250			
C3756	#6 Tumbler	Slate Gray	250			
C3757	#7 Tumbler	Brass	250			
C3758	#8 Tumbler	Copper	250			
C3759	#9 Tumbler	Brown	250			

sample boards

CAM LOCKS Pin Tumbler



V69B-1 Board

V69B-1 Board displays C8101, C8102, C8103, C8106, C8108, C8109 and C8183 (C8188), with "The Advantage Plus" feature.

Help your customers select the right lock. Sample boards are invaluable aids to complete a sale. CompX National display boards make your business the center for quality locks. Boards are organized by type of locks and can be hung or fastened in place. Available individually or in sets. All boards finished with descriptive information.

DOOR & DRAWER LOCKS Pin Tumbler



V69B-2 Board

V69B-2 Board displays pin tumbler door and drawer locks with "The Advantage Plus" feature, C8163, C8173 and C8178. Also shown, C8131, C8133 and C8139; along with furnished strikes.

MAIL BOX LOCKS Pin Tumbler



V69B-3 Board

V69B-3 Board displays pin tumbler mail box locks, C8710 thru C8726. 17 locks total.

MAIL BOX LOCKS Multi-Cam-Pin Tumbler



V69B-4 Board

V69B-4 Board displays the popular C8730 and C8735 mail box locks; each having a selection of five cams to meet specific mounting requirements.

SLIDING DOOR LOCKS- SPECIAL USE LOCKS



V69B-5 Board

V69B-5 Board displays C8043, C8140 and C8142 sliding door locks. Also includes C8154 knob lock, C8150 file cabinet lock, C8070 panel lock, and C8065 screwdriver Cam Latch.

CAM LOCKS Disc Tumbler



V69B-6 Board

V69B-6 Board displays disc tumbler cam locks C8051 thru C8055, with reference to C8073 and C8075 flexafunction locks. C8060 and C8080 with flexafunction feature. Also shown is C8062.

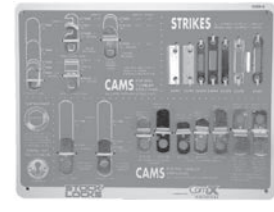
HANDLE LOCKS Disc Tumbler



V69B-7 Board

V69B-7 Board displays C8747, C8751 and C8759 representing a selection of handle locks. Also displayed are C8756 and C8757 latch plate and tongue.

CAM ASSORTMENT Pin Tumbler - Disc Tumbler STRIKES



V69B-8 Board

V69B-8 Board displays all the available cams for both disc tumbler and pin tumbler cylinder cam locks. Also displayed are examples of available strikes, flat washer and barrel key escutcheon.

FURNITURE LOCKS



V69B-10 Board

V69B-10 Board displays C8384 and C8414 lid locks. Other locks displayed include C8207, C8252 and C8826, along with furnished strikes and escutcheons.

FURNITURE LOCKS Small Diameter Disc Tumbler



V69B-12 Board

V69B-12 Board displays disc tumbler RemovaCore locks D8840, D8836, D8838, C8834, C8830 and C8850 plug core.

DRAWER & DOOR LOCKS Disc Tumbler



V69B-13 Board

V69B-13 Board displays samples of C8703 thru C8706 locks; C8803, D8090 gang lock and C8701 lock with reference to C8137 pin tumbler lock.



CompX
NATIONAL

CompX
SECURITY PRODUCTS

MAIN OFFICE - FACTORY

REGISTERED TO ISO 9001
CERTIFICATE NO. 10000456

PO Box 200
Mauldin, SC 29662
PH: 864-297-6655
FAX: 864-297-9987
comp.com

WESTERN DISTRIBUTION CENTER

9370 Buffalo Avenue, Unit 104
Rancho Cucamonga, CA 91730
PH: 909-476-7933
FAX: 909-476-8553

33rd Edition

Reorder #: F2644-001
February 2013
Printed in U.S.A.



COMPX NATIONAL
REGISTERED TO ISO 9001
CERTIFICATE NO. 10000456



Copyright 2013
© CompX Security Products