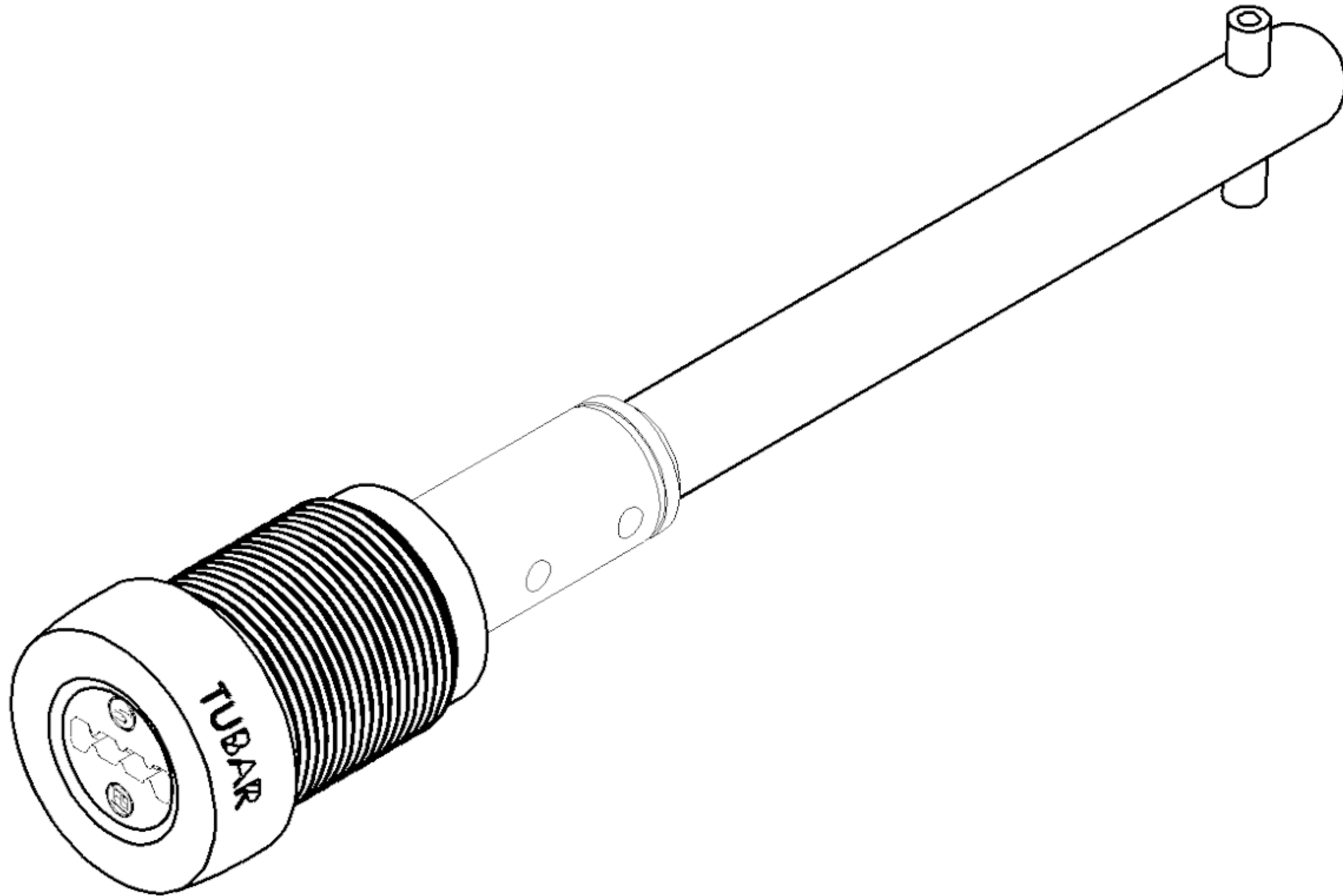
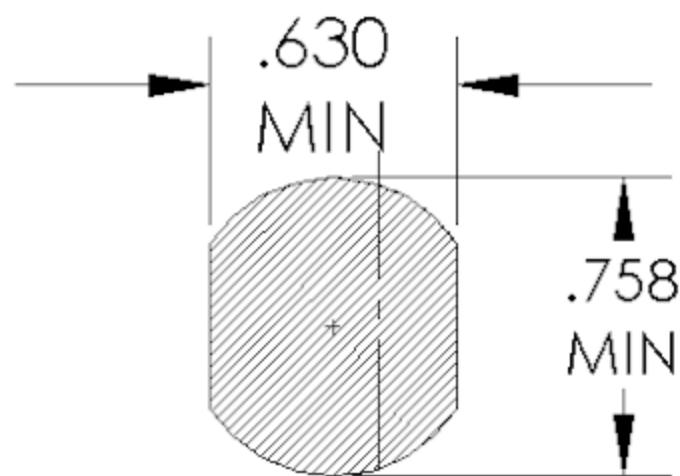


## BL12L SERIES ROTARY "T" LOCK



- MAXIMUM PROTECTION AGAINST FORCED ENTRY. VIRTUALLY IMPREGNABLE TO PULLING, PUNCHING, DRILLING AND OTHER COMMON PHYSICAL ATTACKS.
- REGISTERED KEY SERIES FOR EACH CUSTOMER.
- UNIQUE KEY WITH NO KEY BLANKS OR KEY MACHINES COMMERCIALY AVAILABLE.
- ADDITIONAL 12L STUD LOCK FEATURES:
- NEW, COMPACT 11/16" SIZE IDEAL FOR LIMITED INSTALLATION SPACE.
- HARDENED STEEL ROTATING BEZEL THAT RESISTS PHYSICAL ATTACKS.
- IMPROVED HARDENED STEEL BARREL AND COMPOSITE KEYWAY ASSURES MAXIMUM PROTECTION FROM VANDAL ATTACKS.
- NEW USER FRIENDLY KEY DESIGN WILL ACCOMMODATE ALL TUBAR CYLINDERS IN THE FIELD.
- CAMs AND KEYS SOLD SEPARATELY. FACTORY RE-KEYABLE.
- PATENTED DUAL SIDE BAR MECHANISM PROVIDES THE ULTIMATE IN RESISTANCE TO SURREPTITIOUS ENTRY.



**RECOMMENDED MOUNTING HOLE**

