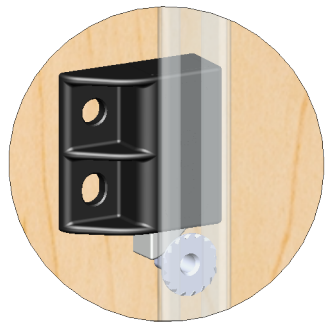
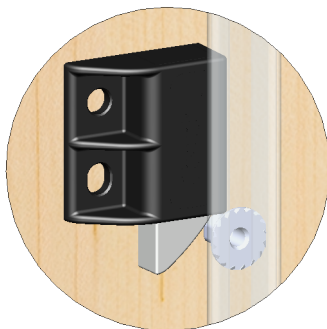


**DRAWER LOCKED**

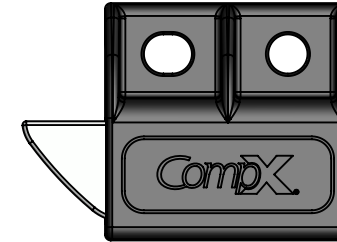


**DRAWER CLOSING**

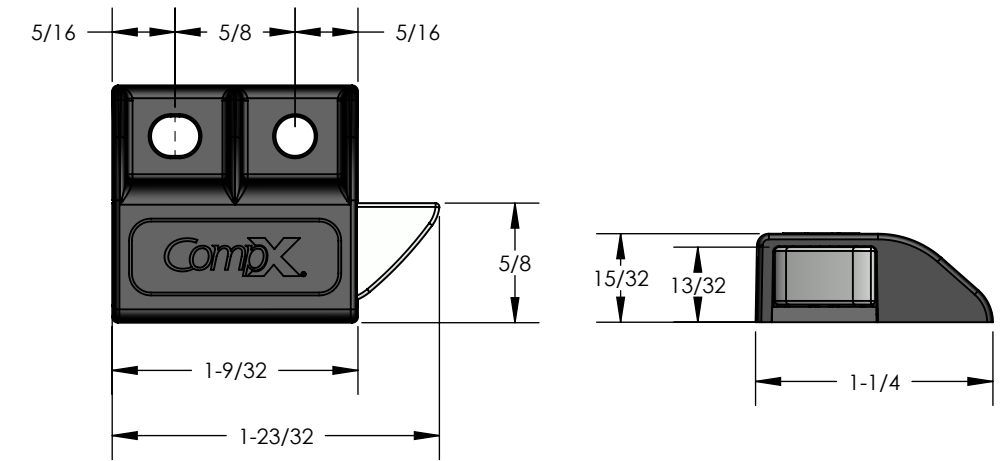


**DRAWER OPEN**

SST-200




SST-100



**NOTES:**

1. SST-100 WHEN LOCK MOUNTED ON LEFT SIDE  
SST-200 WHEN LOCK MOUNTED ON RIGHT SIDE
2. USE WITH SLIDES PROVIDING 1/2" OR MORE OF SIDE CLEARANCE
3. CAN BE USED WITH ALL COMPX TIMBERLINE GANG AND CENTRAL LOCK SYSTEMS
4. SST-100 & SST-200 - BLACK FINISH
5. SST-100-W & SST-200-W - WHITE FINISH
6. BEST INSTALLED WITH #6X1/2" (OR LONGER) PAN HEAD SCREW
7. VISIT [COMPX.COM](http://COMPX.COM) FOR 3D MODELS

DIMENSIONS ARE IN INCHES TOLERANCES: FRACTIONAL: ±1/32" ANGULAR: ± 3° TWO PLACE DECIMAL: ±.01 THREE PLACE DECIMAL: ±.005 REFERENCE DIMENSIONS: (.XXX)		NAME	DATE	DATE	DRAWING# S-110
MATERIAL	Q.A.			DESCRIPTION SLAMSTRIKE - GANG LOCK APPLICATIONS	
FINISH	COMMENTS:			 715 Center Street Grayslake, IL 60030 Phone: 847-752-2600 Fax: 847-752-2420	
DO NOT SCALE DRAWING					