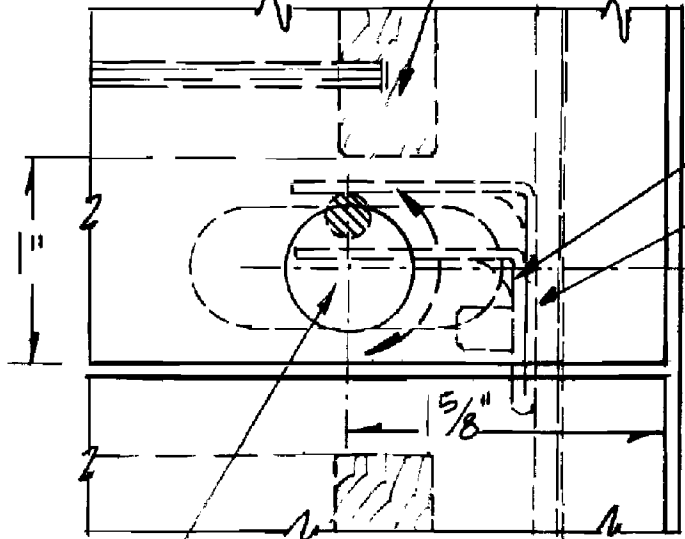


DRAWER SIDE



16.5MM ϕ LOCK HOLE

FRONT

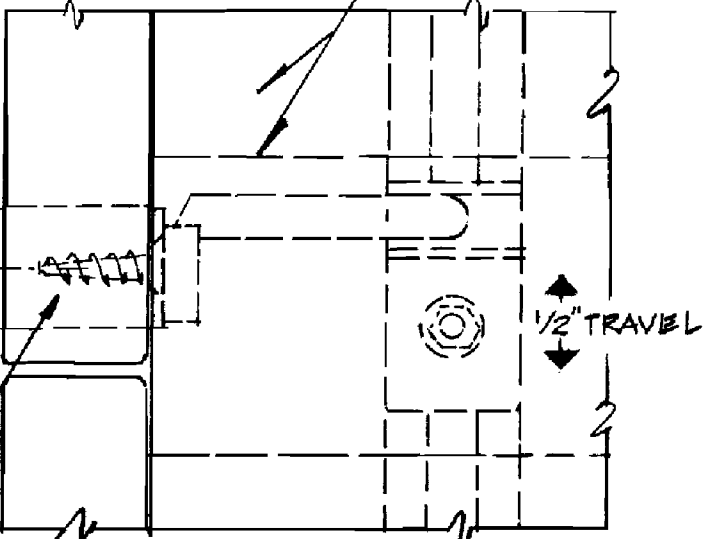
LC-100 SYS 100 LOCKBAR CLIP

LB-240 LOCK BAR

LP-300 LOCK PLUG - BLACK

CB-100 TYPE 100 CYL BODY

DRAWER SIDE



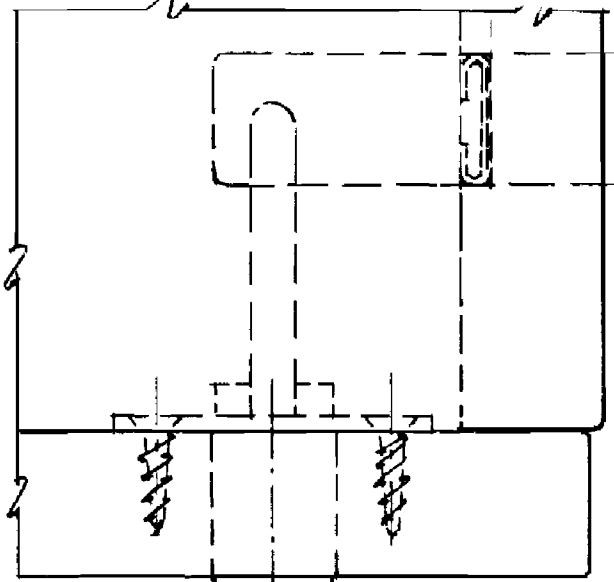
1/2" TRAVEL

SIDE

1/4"

1/16" + 1/32" - 0

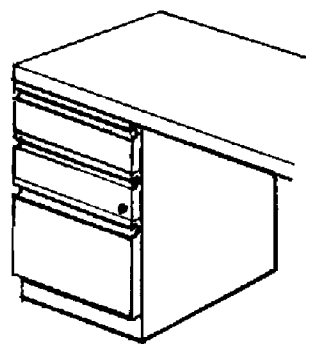
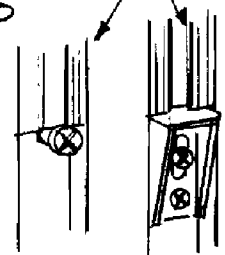
LOCKBAR



TOP

5/8"

NOTE!
 LOCKBAR MUST BE RESTRAINED FROM DROPPING WHEN DRAWER WITH LOCK IS PULLED-OUT. A SMALL SCREW OR A DRAWER LOCKING CLIP AT THE BOTTOM END OF LOCKBAR MAY BE USED.



FRONT GANG LOCK
 LOCK IN BOTTOM OF DRAWER FACE

Scale 1:1
 Lock shown in LOCKED POSITION.
 Materials 3/4" unless otherwise shown.
 Actual dimensions may vary due to construction details.

1-800-LOCKBAR/www.tlock.us
 715 Center St., Grayslake, IL 60030
 Copyright 2007 © CompX Security Products

