

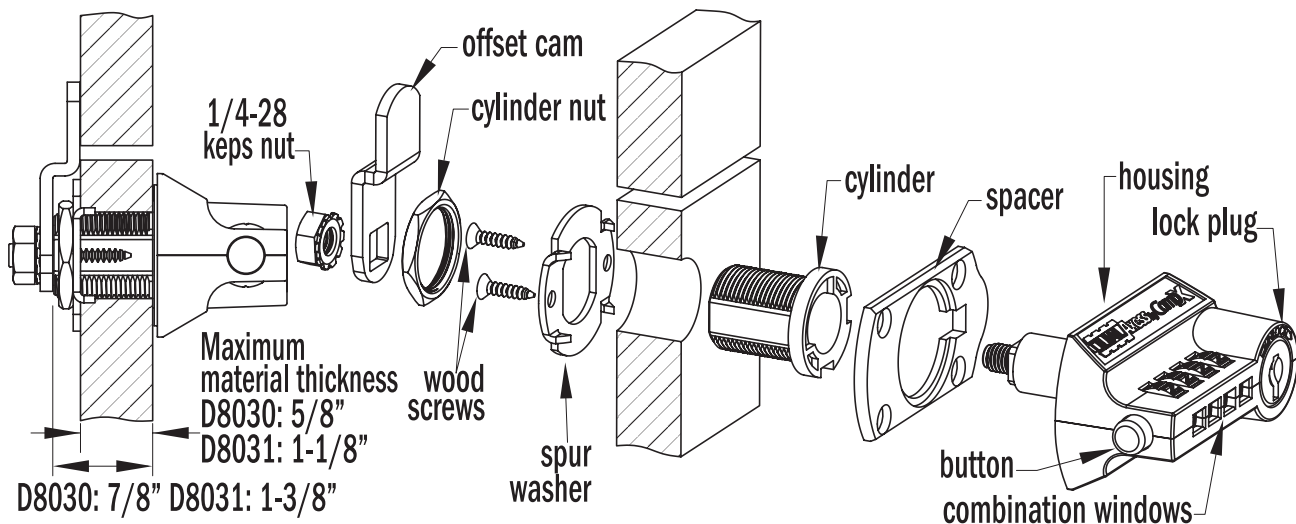
DualAxes by CompX can be operated using either a combination or a key. Once unlocked, rotate the housing 90° clockwise to unlatch. For more information on changing combinations, removing lock plugs and more, please visit compX.com/csp.html

Unlock using combination:

- ➔ **Factory set combination is 0-0-0-0.**
- ➔ Turn wheels until correct combination appears in the combination windows.
- ➔ Press button, rotate housing to unlatch.
- ➔ Scramble wheels to lock.

Unlock using key:

- ➔ Insert key into lock plug and rotate key 90° clockwise.
- ➔ Rotate housing to unlatch.
- ➔ **Important: Rotate key 90° counterclockwise to lock.**



Note: warranty will **not** cover forgotten or incorrectly set combinations.

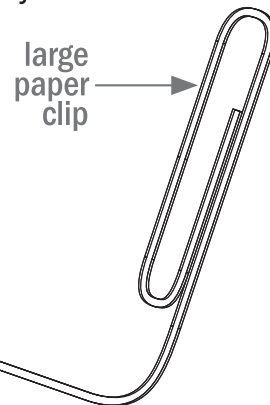
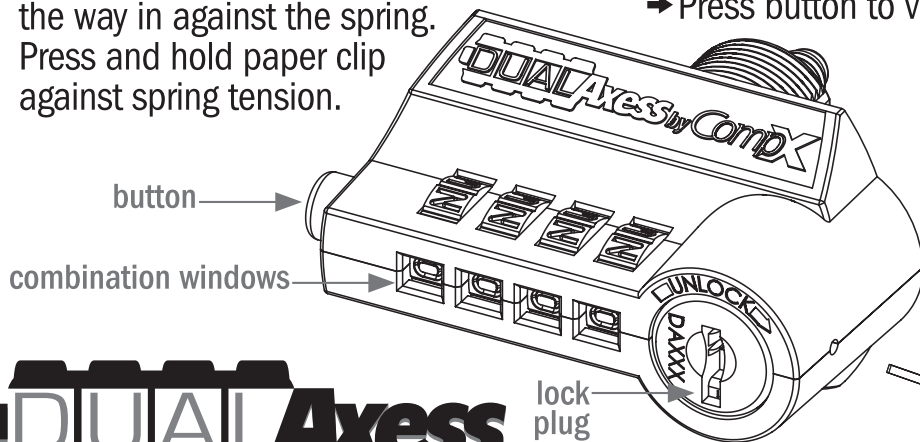
Changing the combination:

- Set to correct combination.
(Factory set combination is 0-0-0-0.)
- Insert key and turn 90° clockwise to unlock.
- Remove the key.
- Insert the end of a large paper clip (see diagram).
- Push end of paper clip all the way in against the spring. Press and hold paper clip against spring tension.

- While holding paper clip firmly in place, spin the dials to the new desired code in the combination windows. Remove paper clip, and record the new combo.



- Insert key and turn 90° counterclockwise.
- Remove the key.
- Press button to verify the new combo.



For more information on changing combinations, removing lock plugs and more, visit compX.com/csp.html

Note: warranty will **not** cover forgotten or incorrectly set combinations.

864.297.6655

compX.com

PO Box 200
Mauldin, SC 29662

Copyright 2007
© CompX Security Products