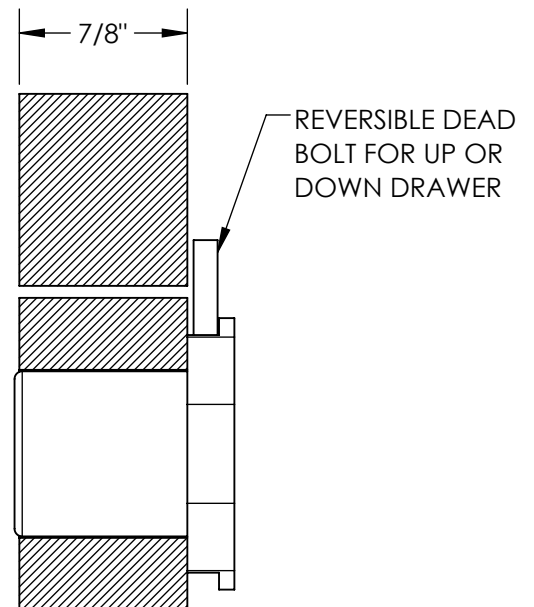
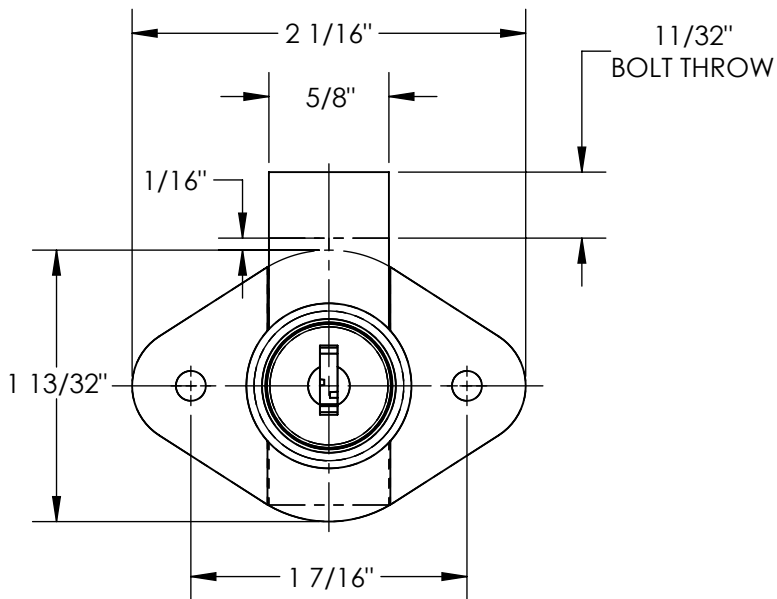
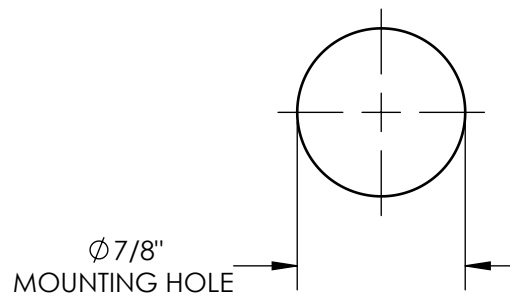
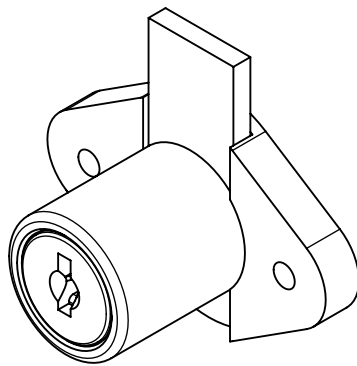


C8803 DISC TUMBLER DRAWER



NOTE: DRILL $3/64"$ DIAMETER
PILOT HOLE FOR SCREWS