

## MFW. 23006,7,8 Wood Drawer/Door Lock

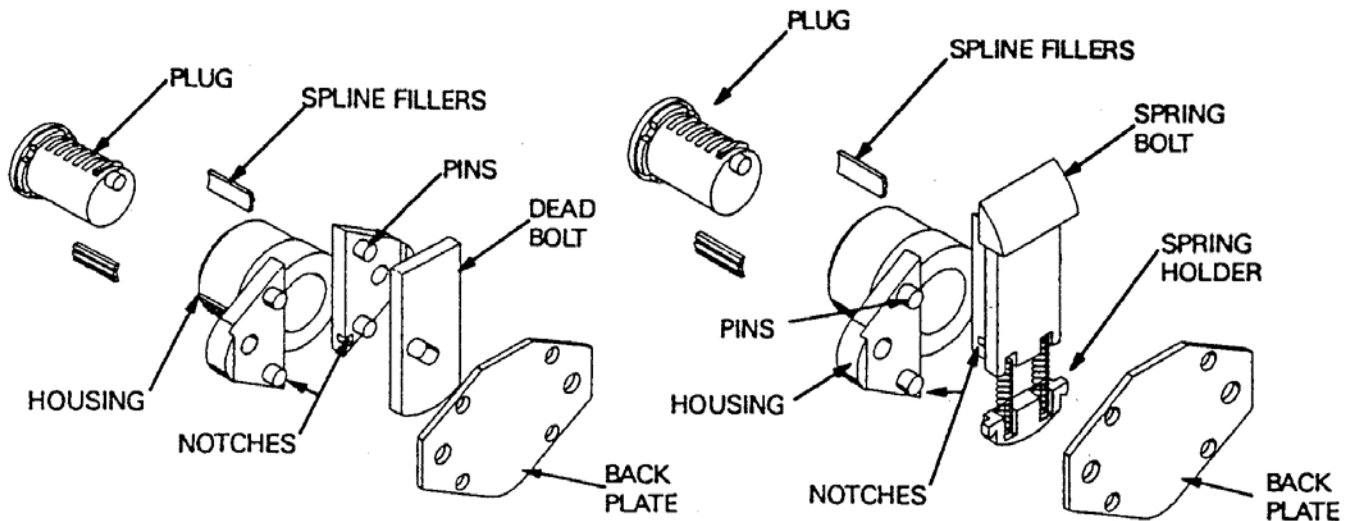


FIGURE 1

DEAD BOLT ASSEMBLY

FIGURE 2

SPRING BOLT ASSEMBLY

### TO ASSEMBLE LOCK

1. **KEY REMOVAL:** The lock without spline fillers rotates 90 deg. allowing key removal in both positions. Adding spline fillers as shown in Figure 1 will allow key removal at 12 o'clock locked position only.
2. **PLUG ASSEMBLY:** Hold housing and plug as in Figure 1. Push plug into the housing until plug snaps in.
- 3A. **DEAD BOLT ASSEMBLY:** Install the bolt in slot as shown in Figure 1. Cover with back plate (Stake pins-optional).
- 3B. **SPRING BOLT ASSEMBLY:** Install the spring holder in notches, as shown in Figure 2. Install the spring bolt with springs and cover with back plate as shown. (Stake pins-optional).
4. **TO INSTALL:** Use template provided. Note: There are 2 different drilling positions. Dead bolt or spring bolt.

