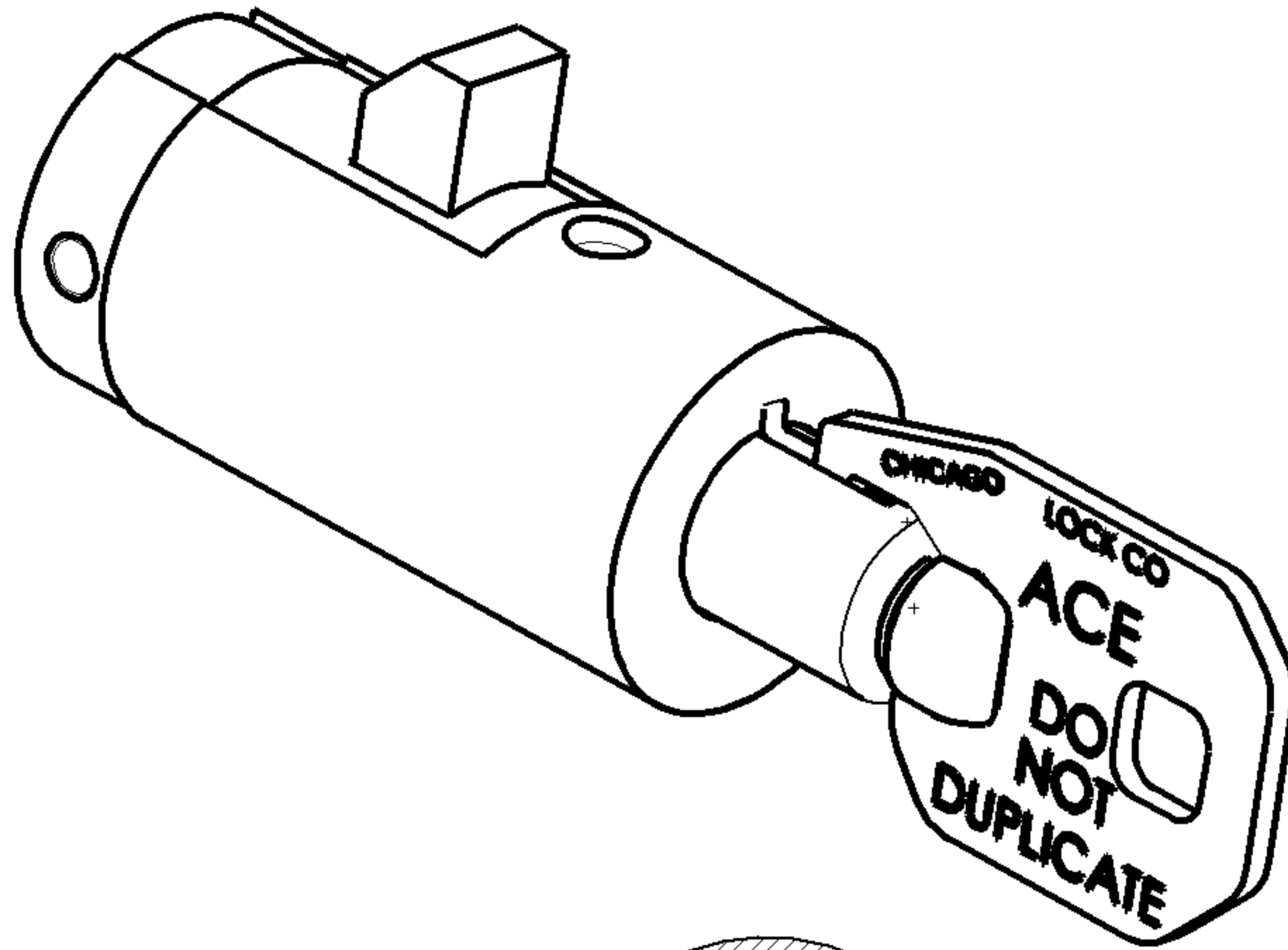
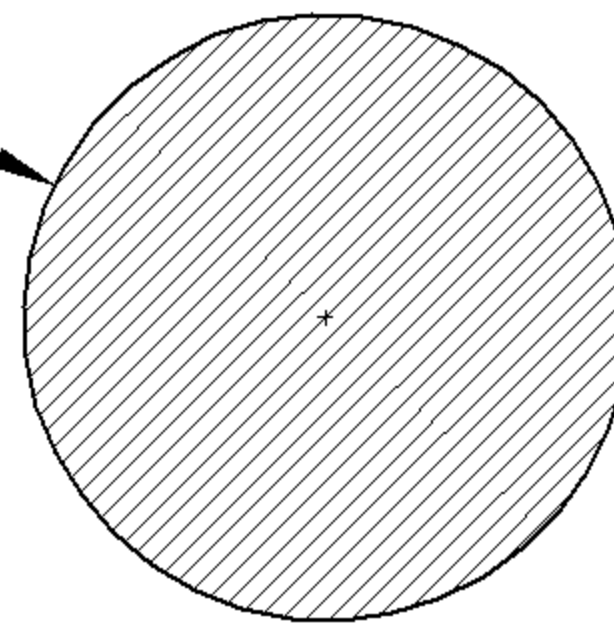


4255-19RL ACE II HANDLE CYLINDER



$\phi .758''$



**RECOMMENDED
MOUNTING
HOLE**

